

*ACO Product catalogue*

## **ACO slot and box channels**

- **ACO slot channel 20**
- **ACO box channel 125**
- **ACO box channel 200**

## Content

<b>General introduction</b>	<b>page</b>
<i>Introduction</i>	3
<i>Why stainless steel?</i>	3
<i>Why ACO slot and box channel</i>	3
<i>Surface treatment of stainless steel</i>	3
<i>Finishes used by ACO</i>	3
<i>Hygienic standards</i>	4
<i>Slip resistance</i>	4
<i>Certification</i>	4
<b>System overview</b>	
<i>System introduction</i>	5
<i>ACO slot channel</i>	6
<i>ACO box channel</i>	7
<b>Benefits</b>	
<i>Specifier benefits</i>	8
<i>Installing contractor benefits</i>	8
<i>Client benefits</i>	8
<b>ACO slot and box channel guide</b>	
<i>Slot and box channel guide</i>	9
<b>Family range</b>	
<i>ACO slot channel 20</i>	14
<i>Features</i>	14
<i>ACO slot channel 20</i>	15
<i>Accessories</i>	18
<i>Gratings</i>	19
<i>Construction heights</i>	21
<i>ACO box channel 125</i>	22
<i>Features</i>	22
<i>ACO box channel 125</i>	23
<i>Accessories and spares</i>	27
<i>Gratings</i>	29
<i>Construction heights</i>	29
<i>ACO box channel 200</i>	30
<i>Features</i>	30
<i>ACO box channel 200</i>	31
<i>Accessories and spares</i>	35
<i>Gratings</i>	36
<i>Construction heights</i>	38
<i>ACO gullies</i>	40
<i>Cut on demand</i>	45
<b>Flow rates</b>	
<i>Flow rates</i>	46
<b>Care and maintenance</b>	
<i>Care and maintenance</i>	48
<b>Installation recommendations</b>	
<i>Installation recommendations</i>	49

## General introduction

### Introduction

#### Typical applications for ACO slot and box channel stainless steel systems include:

- Food processing factories
- Brewing, bottling and canning plants
- Chemical and pharmaceutical industries
- Commercial kitchens
- Schools and leisure
- Retail
- Human and animal healthcare

ACO slot and box channel stainless steel systems are used in applications anywhere where hygienic, corrosion resistance and durable performance are essential.



### Why stainless steel?

#### Stainless steel has the following unique advantages:

- Highly corrosion resistant
- Non-porous, easy to clean and disinfect
- Aesthetically pleasant
- Resistant to temperature extremes and thermal shock
- Coefficient of linear expansion similar to concrete
- 100% recyclable material

All ACO slot and box channels are manufactured from austenitic stainless steel grades 1.4301 (304) or 1.4404 (316L) to EN 10088.

EN 10088	AISI
1.4301	304
1.4404	316L

Table 1

### Why ACO slot and box channels?

As one of the leaders of manufacturing stainless steel drainage systems ACO has the knowledge, experience and expertise to offer the optimal

drainage solutions for every application. Therefore ACO offers the designer the freedom to choose from a standard range of products as well as bespoke solutions to suit any application.

#### Surface treatment of stainless steel

The process of cutting, forming and welding of stainless steel will introduce impurities into the surface of the material and unless the appropriate action is taken, the material will begin to corrode and ultimately fail in service. Therefore after fabrication into the final product, it is vital that the stainless steel material is treated with the correct surface treatment to ensure the material is fully corrosion resistant. By applying pickle passivation as the primary surface treatment, the corrosion resistance of stainless steel can be fully restored to its original state, ensuring long and reliable life performance together with the required aesthetic appearance.

#### Finishes used by ACO include:

- Pickle passivation (acid treatment)  
All ACO channels are pickle passivated by immersing them in a series of acid baths. This is a fundamental requirement for removing iron embedded particulates introduced in the fabrication process and also restoring the chromium depleted regions generated by the welding process. ACO has one of the largest and modern pickle passivation installations in Europe which ensures the optimum corrosion resistance of our products.
- Electropolishing (electrochemical process)  
After pickle passivation, some products are then immersed in an electrolytic fluid in which the products become the anode of a direct current electrical circuit. This process is characterized by the selective attack on the surface of the components whereby upstanding roughness is preferentially dissolved and will yield a progressively smoother, brighter surface.
- Linishing (mechanical process)  
ACO channels have a linished upper edge for esthetical reasons.

**Hygienic standards**

In order to maintain a clean and sustainable hygienic environment within the food processing area, is therefore essential that drainage products should be designed and manufactured to rigorous standards to ensure bacteria traps are minimised.

**Slip resistance**

The consequences of slips in food processing and kitchen areas can be very serious as accidents can easily occur involving high temperature foodstuffs and cooking surfaces. For applications where the potential of slipping is increased, enhanced slip resistant gratings should be considered. For this reason ACO slot and box channel systems portfolio includes range of slip resistant gratings.

**Certification**

ACO slot and box channels are fully tested, manufactured and certified in accordance with EN 1433 – Drainage channels for vehicular and pedestrian areas for enhanced operational confidence.



**The main and most important benefits of the standard are:**

- Load bearing capacity – ensures the installation can safely accommodate vehicle and pedestrian loading conditions in use without damage.
- Water – tightness – management of wastewater in a safe manner without leakage to the surrounding environment. This is particularly important to prevent environmental contamination.
- Durability – material selection and design features for a long, trouble-free life.

3rd party product assessment with CE marking to ensure that the products fulfil the Essential Requirements of EN 1433.

**Load Class Definition to EN 1433:**

**Load Class Definition**

**To EN 1433 – Drainage channels for vehicular and pedestrian areas**



Pedestrian and cyclaways, domestic drivesareas.



Car side drainage parking areas, service stations (car), slow-moving light comercial vehicles.



Pedestrian precincts, light vehicles, private car parks and drives.

Range of compatible gullies is certified according to EN 1253 – Gullies in buildings.

## System overview

### Characteristics

ACO slot and box linear drainage systems are the ideal solution to drain large areas. It is possible to set complicated shapes of linear drainage, thanks to good variability of system. The system consists of two types of channel profiles for different applications.

Slot channel is ideal as a discreet breakwater between designated wet and dry areas. The width of aperture is 20mm and the grate is placed only on the gully part.

Another solution is box channel. The system offers the choice of two widths – 125 mm and 200 mm but still able to manage much bigger

inflow of water. Grates are placed in whole length of the channel system.

Customer can create the whole look of floor by choosing the right design grating. Anti-slip version grating is also available, to ensure the floor safety.

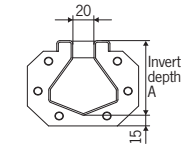
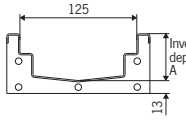
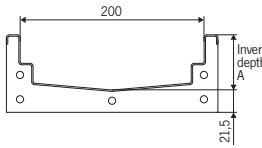
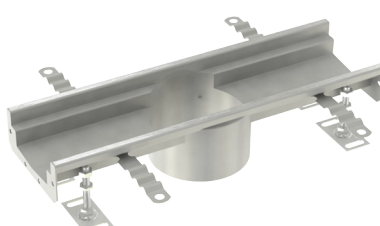
Name	Internal channel width [mm]	Profile
ACO slot channel 20	20	
ACO box channel 125	125	
ACO box channel 200	200	

Table 2



ACO slot channel 20

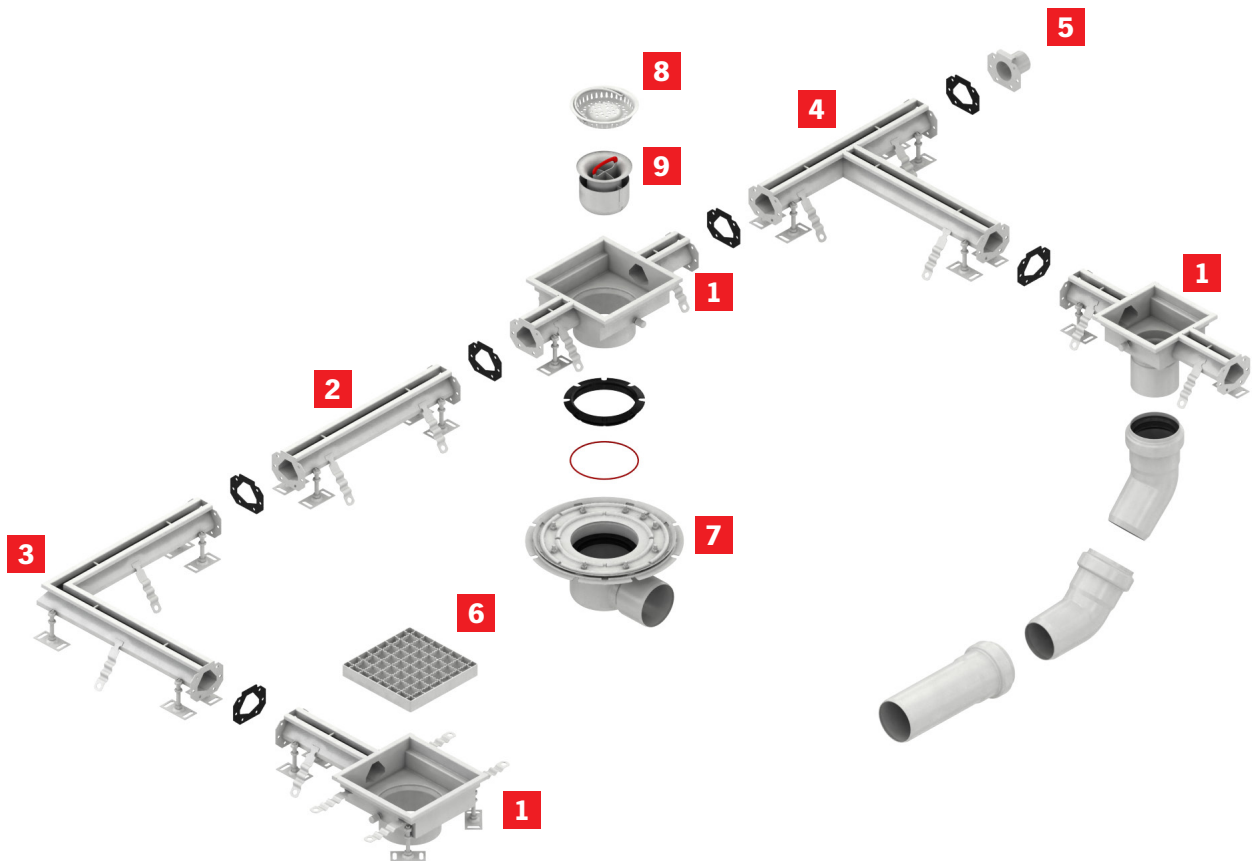


ACO box channel 125



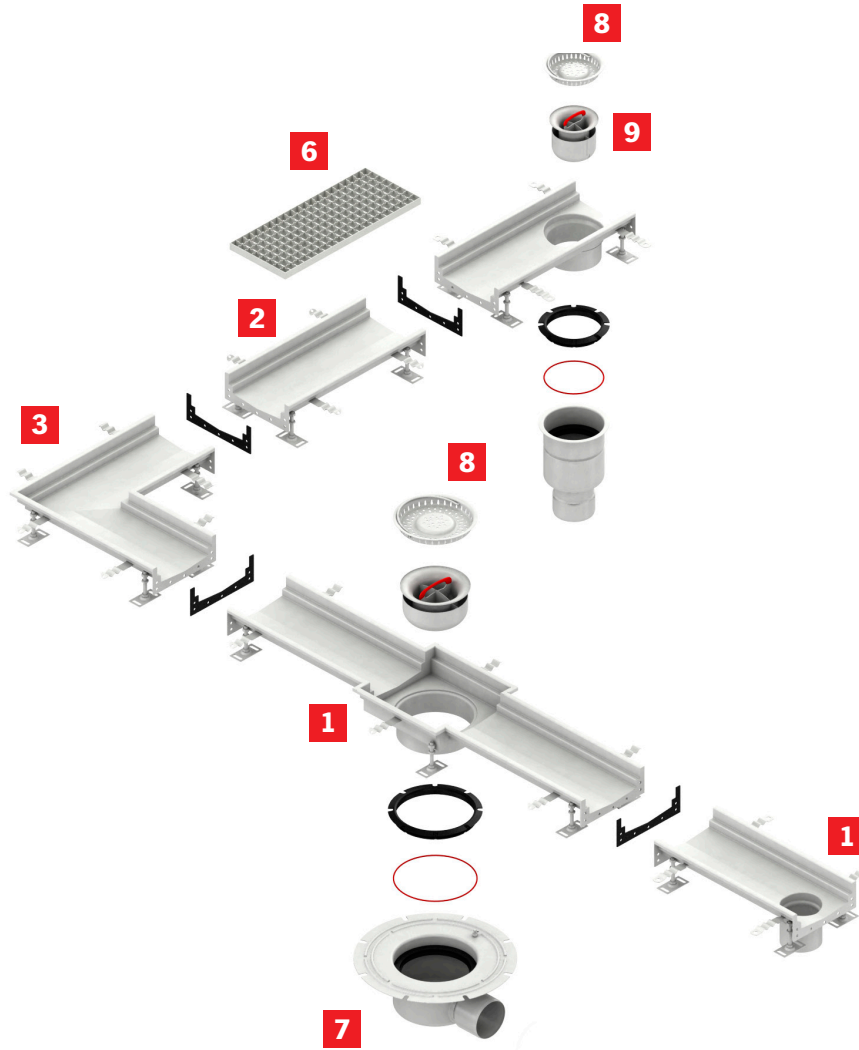
ACO box channel 200

ACO slot channel



- |          |   |          |               |
|----------|---|----------|---------------|
| <b>1</b> | Outlet unit                             | <b>6</b> | Grating       |
| <b>2</b> | Level invert and sloping invert channel | <b>7</b> | Gully         |
| <b>3</b> | Corner unit                             | <b>8</b> | Silt basket   |
| <b>4</b> | Branch unit                             | <b>9</b> | Foul air trap |
| <b>5</b> | End plate                               |          |               |

ACO box channel



**Benefits****Specifier benefits**

- Fully tested and classified to EN 1433 (CE marked)
- Stainless steel construction for durability and long life
- Vee-bottomed (V) profiled channel for enhanced flow efficiency at low flow rates and for improved self cleaning performance
- Inverted channel sloping provides better flow rates
- Channel edge infill supplied as standard for hygiene and durability
- Modular concept allows specification of standard channel units to surround machinery and fit within existing tiling patterns
- Wide variety of invert depths and channel falls to suit most applications
- Wide choice of grates covering main requirements of grating final surface, load class and durability in general
- Wide variety of outlet units to meet different flow rate requirements
- Easy specification of gratings due to constant channel width
- Easy and secure telescopic connection with gully

**Installing contractor benefits**

- Fully tested and classified to EN 1433 (CE marked)
- Easy and secure telescopic connection with gully
- Channel edge infill for durability and eliminates time-consuming back filling
- Fully welded end flange to each channel section to allow multi-point clamping of the NBR sealing sheet for a totally waterproof connection
- Easy installation on site due to constant channel width.
- Friction ring converts easily to membrane seepage drainage
- Cut on demand items available to minimize works on site

**User benefits**

- Fully tested and classified to EN 1433 (CE marked)
- Inverted channel sloping provides better flow rates
- Vee-bottomed (V) profiled channel for enhanced flow efficiency at low flow rates and for improved self cleaning performance
- Easy and low cost cleaning
- Stainless steel construction for durability and long life
- Pre-installed channel edge infill for hygiene and durability
- Esthetically pleasant due to constant channel width.
- Slip resistant gratings available for added user safety
- Aesthetically pleasant gratings

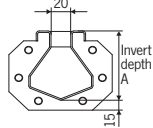
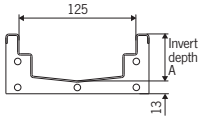


Slot and box channel guide

This guide helps the designer to select the appropriate slot and box channel for each particular application by following 6 simple steps.

Step 1 – Channel type selection

To cover all applications different channel types are available.

Type	Name	Channel width [mm]	Profile
Slot	ACO slot channel 20	20*	
Box	ACO box channel 125	125	
	ACO box channel 200	200	

\*No gratings applies

Table 3

**Step 2 – Channel edge selection**

The final floor determines the channel edge selection.

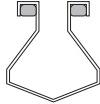
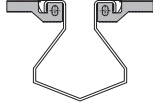


Type	Tiled / concrete or epoxy floor	Vinyl sheet floor
ACO slot channel 20		
ACO box channel 125 ACO box channel 200		
	<p>Standard edge Edge infill supplied as standard</p>	<p>Edge with vinyl seal Removes the cumbersome mechanical clamping mechanisms traditionally used. Sealing system is fully watertight</p>

Table 4

**Step 3 – Outlet type selection**

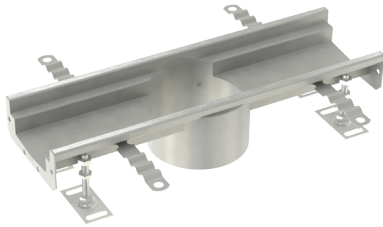
There are various solutions of outlet unit. Table below summarize available outlet units for different types of ACO slot and box channels. It displays compatible gully type at the same time.

Channel type	Spigot diameter	Outlet unit type	Gully type	Flow rate* [l/s]
Slot 20	Ø 142 mm	Square 250×250 mm	gully 157	3.0–4.5
	Ø 110 mm	Square 200×200 mm	pipe 110**	1.2
Box 125	Ø 110 mm	Straight	pipe 110**	1.2
	Ø 142 mm	Straight	gully 157	2.8–4.3
Sox 200	Ø 110 mm	Straight	pipe 110**	1.2
	Ø 142 mm	Straight	gully 157	3.0–4.5
	Ø 200 mm	Square 300×300 mm	gully 218	4.6–6.3

\*for detailed flow rates see the page 42 and 43

\*\*direct connection to sewage pipe

Table 5



Straight outlet unit



Square outlet unit

**Step 4 – Gully type selection**

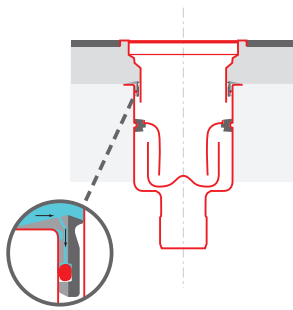
Fourth step of tray channel specification is focusing on gully type selection.

**There are two core gully functions.**

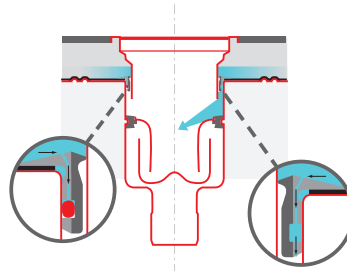
- Gully provides connection between channel body and foul drainage system. Each channel size has its own ACO gully defined in Step 3.
- Gully works as the odour trap and filtration unit. Odour from foul drainage system is prevented by a fully removable FOUL AIR TRAP (FAT). Filtration of solid parts is provided by fully removable SILT BASKET. FAT and SILT basket specification follows in Step 5.

**Gullies offer three basic variations of telescopic connections between the channel and gully itself.**

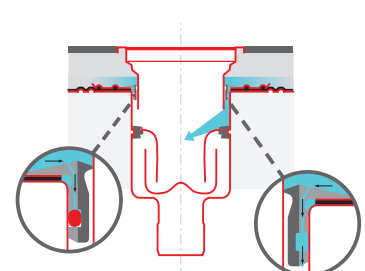
- Telescopic connection with location flange
- Telescopic connection with adhesive bonding flange for water proofing
- Telescopic connection with mechanical clamping flange for water proofing



With location flange



With adhesive bonding flange



With mechanical clamping flange

Telescopic connection without flange for waterproofing	Telescopic connection with flange for waterproofing	
ACO gully with location flange	ACO gully with adhesive bonding flange	ACO gully with mechanical clamping flange
<ul style="list-style-type: none"> <li>■ Waterproofing is independent of gully body</li> </ul>	<ul style="list-style-type: none"> <li>■ Waterproofing welded or glued to the gully</li> </ul>	<ul style="list-style-type: none"> <li>■ Waterproofing mechanically clamped to the gully</li> </ul>

Table 6

**Step 5 – Gully accessories selection**

Following accessories are available for ACO gullies.

- Foul air trap (FAT) – blocks the odour coming from sewage system
- Foul air trap support – locates the FAT inside the gully body. Foul air trap support is mandatory if FAT used
- Silt basket – filtration of solid parts
- Sieve – filtration of solid parts (shallow version)

Picture	Name
	Silt basket
	Sieve
	Foul air trap
	Nitrile NBR support of FAT

Table 7

**Step 6 – Gratings selection**

For the choice of appropriate grating following properties have to be considered:

- Load class
- Hygiene
- Slip resistance

	Mesh grating		Ladder grating		Heelsafe grating	Perforated grating	Quadrato grating	Volcano grating	ARLA grating	Plastic grating	Composite grating
	Antislip	Plain	Antislip	Plain	Plain	Plain	Plain	Antislip	Antislip	Plain	Antislip
<b>Hygiene</b>	+	+	+++++	+++++	+++	+	+	+++	++++	+	+
<b>Slip resistance</b>	+++++	+++	+++	+	+	+	+	++++	++++	+	++
<b>Load classes</b>											
<b>Slot 20 (No gratings applies)</b>	-	-	-	-	-	-	-	-	-	-	-
<b>Box 125 (with 123 mm)</b>	A15, C250	A15, C250	C250	C250	A15	A15, B125	A15	A15, B125	-	A15	C250
<b>Box 200 (with 198 mm)</b>	A15	A15	C250	C250	-	A15	-	A15, B125	A15	-	-

Load class A15, B125, C250 according EN 1433

+ = ☹️  
 +++++ = 😊

Table 8

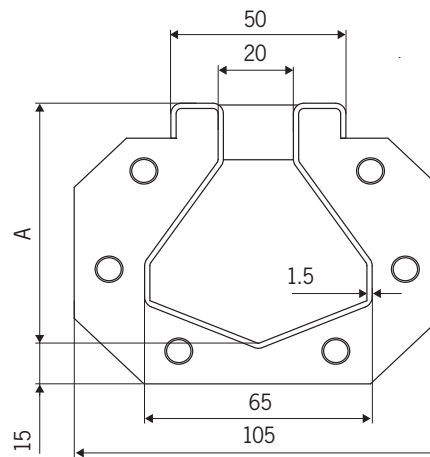
## Family range

### ACO slot channel 20

ACO slot channel 20 is a simple, plotter system, which requires no grating, manufactured from 1,5 mm thick austenitic stainless steel in grades 1.4301 (304) and 1.4404 (316). ACO slot channel 20 is ideal for wash-down

applications or as a breakwater between designated wet and dry areas. The system is capable of withstanding heavy wheel loads and it is available with channel edge details suitable for various floor finishes. 20 mm aperture at

the top of the channel presents no problems to pedestrian wheelchair or trolley traffic. The continuous slot allows easy access for clearing. ACO slot 20 channels are available with either sloping or constant inverts.



ACO slot channel 20 profile

### Features

- Foul air trap (FAT) – blocks the odour coming from sewage system
- Fully tested and classified to EN 1433 (CE marked)
- Fully pickle passivated
- Slot channel internal width 20 mm
- “V” shape of channel bottom
- Channel edge infill supplied as standard
- Hygienic design of the gully including large radii formed contours, deep-drawn components and minimal welds to minimize crevices and bacteria traps according to EN 1672 and EN ISO 14159
- Dry sump design of gully ensures no standing waste water in gully base
- Easy and secure telescopic connection with gully
- Gully body with location flange or integrated membrane flange for either adhesive bonding or mechanical clamp
- Channels with constant height or with inverted channel sloping available
- Available in 1.4301 (304) or 1.4404 (316L) grades to stainless steel
- Wide range of gratings for outlet units is available for load class up to M125 (EN 1253) or C250 (EN 124)

ACO slot channel 20

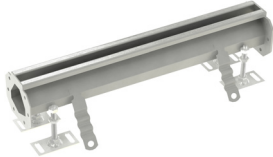
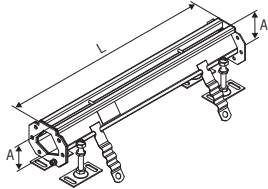
Level invert channels					
Picture	Drawing	L [mm]	A [mm]	Part Nr. 1.4301	Part Nr. 1.4404
		500	70	92300	92350
		500	90	92301	92351
		500	120	92302	92352
		1000	70	92305	92355
		1000	90	92306	92356
		1000	120	92307	92357
		2000	70	92310	92360
		2000	90	92311	92361
		2000	120	92312	92362
		3000	70	92316	92366
		3000	90	92317	92367
		3000	120	92318	92368

Table 9

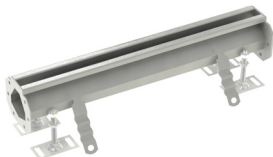
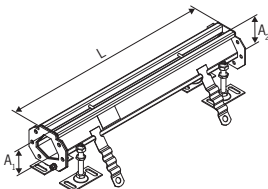
Sloping invert channels						
Picture	Drawing	L [mm]	A1 [mm]	A2 [mm]	Part Nr. 1.4301	Part Nr. 1.4404
		500	70	75	92303	92353
		500	75	80	92304	92354
		1000	70	75	92308	92358
		1000	75	80	92309	92359
		2000	70	80	92313	92363
		2000	80	90	92314	92364
		2000	90	100	92315	92365
		3000	70	80	92319	92369
		3000	80	90	92320	92370
		3000	90	100	92321	92371
		3000	100	110	92322	92372
		3000	110	120	92323	92373
		6000	70	90	409014	409015
		6000	90	110	409016	409017

Table 10


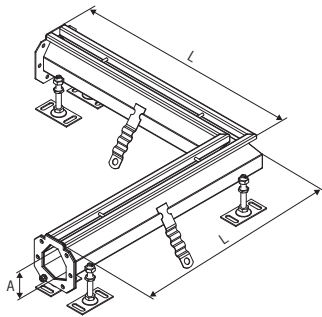
Corner units					
Picture	Drawing	L [mm]	A [mm]	Part Nr. 1.4301	Part Nr. 1.4404
		500	70	92338	92388
		500	75	92339	92389
		500	80	92340	92390
		500	90	92341	92391
		500	100	92342	92392
		500	110	92343	92393
		500	120	92344	92394

Table 11

Branch units					
Picture	Drawing	L [mm]	A [mm]	Part Nr. 1.4301	Part Nr. 1.4404
		500	70	92345	92395
		500	75	92346	92396
		500	80	92347	92397
		500	90	92348	92398
		500	100	92349	92399
		500	110	92400	92450
		500	120	92401	92451

Table 12

End outlets (Outlet diameter 110 mm)					
Picture	Drawing	L [mm]	A [mm]	Part Nr. 1.4301	Part Nr. 1.4404
		500	70	414341	414348
		500	75	414342	414349
		500	80	414343	414350
		500	90	414344	414351
		500	100	414345	414352
		500	110	414346	414353
		500	120	414347	414354

Compatible with sewage pipe DN 100 (OD 110mm)

Table 13

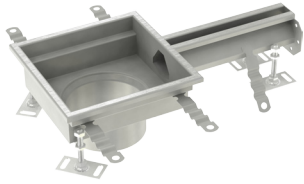
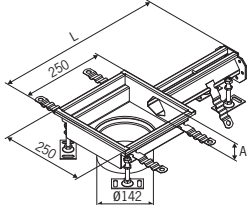
Centre outlets (Outlet diameter 110 mm)					
Picture	Drawing	L [mm]	A [mm]	Part Nr. 1.4301	Part Nr. 1.4404
		500	70	414355	414362
		500	75	414356	414363
		500	80	414357	414364
		500	90	414358	414365
		500	100	414359	414366
		500	110	414360	414367
		500	120	414361	414368
		1000	70	414369	414376
		1000	75	414370	414377
		1000	80	414371	414378
		1000	90	414372	414379
		1000	100	414373	414380
		1000	110	414374	414381
		1000	120	414375	414382

Compatible with sewage pipe DN 100 (OD 110mm)

Table 14




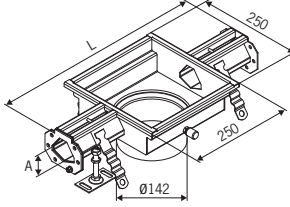
**End outlets (Outlet diameter 142 mm)**

Picture	Drawing	L [mm]	A [mm]	Part Nr. 1.4301	Part Nr. 1.4404
		500	70	414201	414208
		500	75	414202	414209
		500	80	414203	414210
		500	90	414204	414211
		500	100	414205	414212
		500	110	414206	414213
		500	120	414207	414214

Compatible with ACO gully 157

Table 15


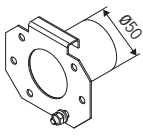
**Centre outlets (Outlet diameter 142 mm)**

Picture	Drawing	L [mm]	A [mm]	Part Nr. 1.4301	Part Nr. 1.4404
		500	70	414215	414222
		500	75	414216	414223
		500	80	414217	414224
		500	90	414218	414225
		500	100	414219	414226
		500	110	414220	414227
		500	120	414221	414228
		1000	70	414229	414236
		1000	75	414230	414237
		1000	80	414231	414238
		1000	90	414232	414239
		1000	100	414233	414240
		1000	110	414234	414241
		1000	120	414235	414242

Compatible with ACO gully 157

Table 16


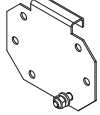
**End plates with 50 mm outlet**

Picture	Drawing	A [mm]	Part Nr. 1.4301	Part Nr. 1.4404
		70	92331	92381
		75	92332	92382
		80	92333	92383
		90	92334	92384
		100	92335	92385
		110	92336	92386
		120	92337	92387

Height A refers to channel depth

Table 17

**End plates**

Picture	Drawing	A [mm]	Part Nr. 1.4301	Part Nr. 1.4404
		70	92324	92374
		75	92325	92375
		80	92326	92376
		90	92327	92377
		100	92328	92378
		110	92329	92379
		120	92330	92380

Height A refers to channel depth

Table 18

Accessories


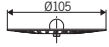

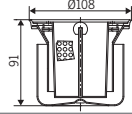




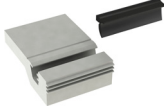

Accessories				
Picture	Drawing	Name	Part Nr. 1.4301	Part Nr. 1.4404
		Sieve (for outlet 110 mm)	97235	97285
		Foul air trap + silt basket (for outlet 110 mm)	405065	403633
		Silt basket 0.6 litre capacity (for outlet 142 mm)	408202	408212
		Silt basket 0.3 litre capacity (for outlet 142 mm)	408203	408213
		Vinyl seal set	400841	

Table 19

Gratings

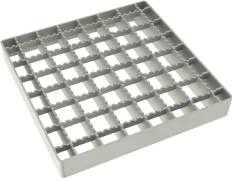
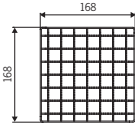

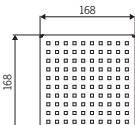

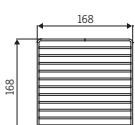

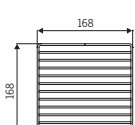
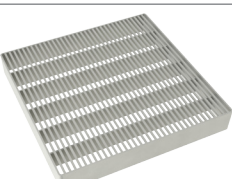
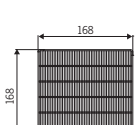
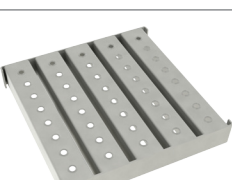
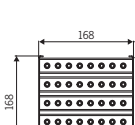
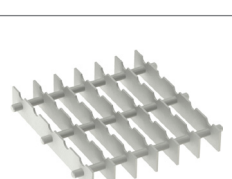
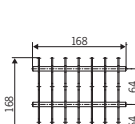

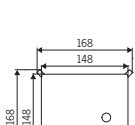
Gratings for frame 200×200 mm						
Picture	Drawing	Name	Load class	Surface	Part Nr. 1.4301	Part Nr. 1.4404
		Mesh grating	L15	Antislip	408090	408190
				Plain	408091	408191
		Quadrato grating	L15	Plain	408092	408192
		Ladder grating	M125	Antislip	408093	408193
				Plain	408020	408120
		Ladder grating	C250	Plain	408043	408143
		Heelsafe grating	L15	Plain	408022	408122
		Volcano grating	L15	Antislip	408094	408194
		Arla grating	L15	Antislip/Plain	408023	408123
		Slot cover	M125	Plain	408021	408121

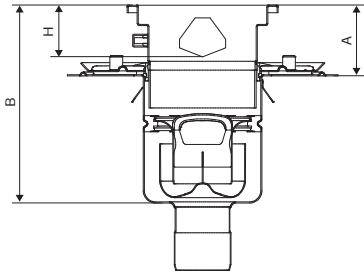
Table 20

Gratings for frame 250×250 mm						
Picture	Drawing	Name	Load class	Surface	Part Nr. 1.4301	Part Nr. 1.4404
		Mesh grating	L15	Antislip	408095	408195
				Plain	408096	408196
		Quadrato grating	L15	Plain	408097	408197
		Ladder grating	M125	Antislip	408028	408128
				Plain	408029	408129
		Ladder grating	C250	Plain	408044	408144
		Heelsafe grating	L15	Plain	408031	408131
		Volcano grating	L15	Antislip	408033	408133
		Arla grating	L15	Antislip/Plain	408032	408132
		Slot cover	M125	Plain	408030	408130

Table 21

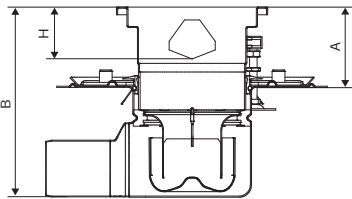
Construction heights

ACO slot channel 20, outlet 142 mm



ACO gully 157							
Vertical outlet DN 70 and DN 100	Channel height (H)						
	70 mm	75 mm	80 mm	90 mm	100 mm	110 mm	120 mm
<b>A min.</b>	85	90	95	105	115	125	135
<b>A max.</b>	135	140	145	155	165	175	185
<b>B min.</b>	255	260	265	275	285	295	305
<b>B max.</b>	305	310	315	325	335	345	355

Table 22



ACO gully 157							
Horizontal outlet DN 70 and DN 100	Channel height (H)						
	70 mm	75 mm	80 mm	90 mm	100 mm	110 mm	120 mm
<b>A min.</b>	105	110	115	125	135	145	155
<b>A max.</b>	135	140	145	155	165	175	185
<b>B min.</b>	258	263	268	278	288	298	308
<b>B max.</b>	288	293	298	308	318	328	338

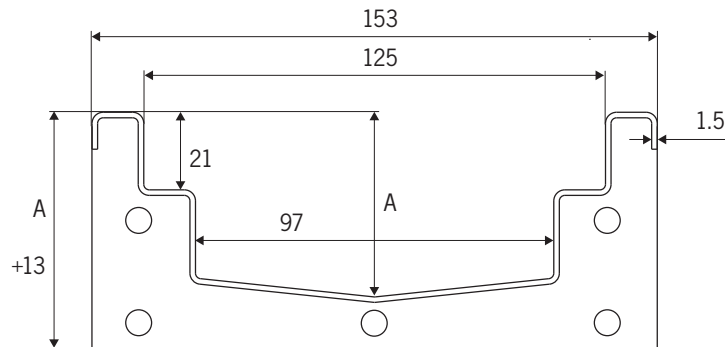
Table 23

### ACO box channel 125

ACO box channel 125 is a range of high quality channels, gratings and industrial gullies, manufactured from 1.5 mm thick austenitic stainless steel in grades 1.4301 (304) or 1.4404 (316).

ACO box channel 125 provides a robust, practical and cost effective solution to floor drainage. The modular concept allows systems to be designed to surround machinery and fit within existing tiling patterns. Refurbishment

and new drainage layouts and varying hydraulic demands can be satisfied by using components from the ACO box channel 125 range.



ACO box channel 125 profile

### Features

- Fully tested and classified to EN 1433 (CE marked)
- Fully pickle passivated
- Box channel internal width 125 mm
- "V" shape of channel bottom
- Channel edge infill supplied as standard
- Hygienic design of the gully including large radii formed contours, deep-drawn components and minimal welds to minimize crevices and bacteria traps according to EN 1672 and EN ISO 14159
- Dry sump design of gully ensures no standing waste water in gully base
- Easy and secure telescopic connection with gully
- Gully body with location flange or integrated membrane flange for either adhesive bonding or mechanical clamp
- Channels with constant height or with inverted channel sloping available
- Available in 1.4301 (304) or 1.4404 (316L) grades to stainless steel
- Wide range of gratings for load class up to C250 (EN 1433)

ACO box channel 125


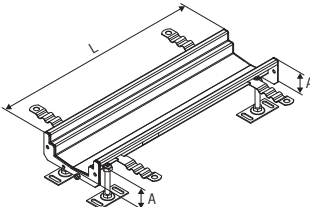
Level invert channels					
Picture	Drawing	L [mm]	A [mm]	Part Nr. 1.4301	Part Nr. 1.4404
		500	50	105119	407211
		500	65	105120	407212
		500	80	105121	407213
		500	95	105122	407214
		500	110	105123	407215
		500	125	105124	407216
		1000	50	105127	407217
		1000	65	105128	407218
		1000	80	105129	407219
		1000	95	105130	407220
		1000	110	105131	407221
		1000	125	105132	407222
		2000	50	105135	407223
		2000	65	105136	407224
		2000	80	105137	407225
		2000	95	105138	407226
		2000	110	105139	407227
		2000	125	105140	407228
		3000	50	105143	407229
		3000	65	105144	407230
		3000	80	105145	407231
		3000	95	105146	407232
		3000	110	105147	407233
		3000	125	105148	407234

Table 24


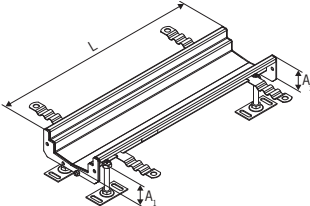
Sloping invert channels						
Picture	Drawing	L [mm]	A1 [mm]	A2 [mm]	Part Nr. 1.4301	Part Nr. 1.4404
		500	50	65	105151	407235
		500	65	80	105152	407236
		1000	50	65	105155	407237
		1000	65	80	105156	407238
		1000	80	95	105157	407239
		1000	95	110	105158	407240
		2000	50	65	105161	407241
		2000	65	80	105162	407242
		2000	80	95	105163	407243
		2000	95	110	105164	407244
		2000	110	125	105165	407245
		3000	50	65	105168	407246
		3000	65	80	105169	407247
		3000	80	95	105170	407248
		3000	95	110	105171	407249
		3000	110	125	105172	407250
		6000	50	80	408821	408824
		6000	65	95	408822	408825
		6000	95	125	408823	408826

Table 25

Corner units					
Picture	Drawing	L [mm]	A [mm]	Part Nr. 1.4301	Part Nr. 1.4404
		515	50	409812	409818
		515	65	409813	409819
		515	80	409814	409820
		515	95	409815	409821
		515	110	409816	409822
		515	125	409817	409823

Table 26

Branch units						
Picture	Drawing	L1 [mm]	L2 [mm]	A [mm]	Part Nr. 1.4301	Part Nr. 1.4404
		500	515	50	409824	409830
		500	515	65	409825	409831
		500	515	80	409826	409832
		500	515	95	409827	409833
		500	515	110	409828	409834
		500	515	125	409829	409835

Table 27

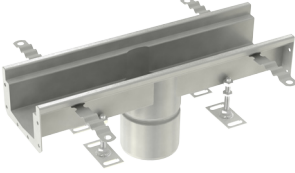
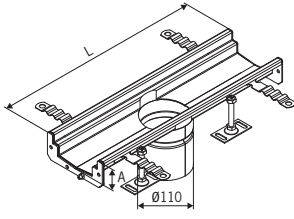
End outlets (Outlet diameter 110 mm)					
Picture	Drawing	L [mm]	A [mm]	Part Nr. 1.4301	Part Nr. 1.4404
		500	50	105175	407251
		500	65	105176	407252
		500	80	105177	407253
		500	95	105178	407254
		500	110	105179	407255
		500	125	105180	407256
		1000	50	105183	407257
		1000	65	105184	407258
		1000	80	105185	407259
		1000	95	105186	407260
		1000	110	105187	407261
		1000	125	105188	407262

Compatible with sewage pipe DN 100 (OD 110 mm)

Table 28



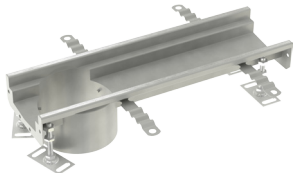
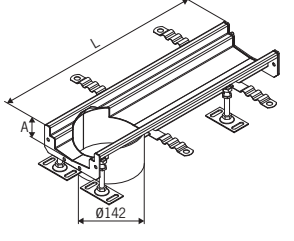
**Centre outlets (Outlet diameter 110 mm)**

Picture	Drawing	L [mm]	A [mm]	Part Nr. 1.4301	Part Nr. 1.4404
		500	50	105191	407263
		500	65	105192	407264
		500	80	105193	407265
		500	95	105194	407266
		500	110	105195	407267
		500	125	105196	407268
		1000	50	105199	407269
		1000	65	105200	407270
		1000	80	105201	407271
		1000	95	105202	407272
		1000	110	105203	407273
		1000	125	105204	407274

Compatible with sewage pipe DN 100 (OD 110 mm)

Table 29

**End outlets (Outlet diameter 142 mm)**

Picture	Drawing	L [mm]	A [mm]	Part Nr. 1.4301	Part Nr. 1.4404
		500	50	409732	409733
		500	65	409736	409737
		500	80	409740	409741
		500	95	409744	409745
		500	110	409724	409725
		500	125	409728	409729
		1000	50	409708	409709
		1000	65	409712	409713
		1000	80	409716	409717
		1000	95	409720	409721
		1000	110	409700	409701
		1000	125	409704	409705

Compatible with ACO gully 157

Table 30

Centre outlets (Outlet diameter 142 mm)					
Picture	Drawing	L [mm]	A [mm]	Part Nr. 1.4301	Part Nr. 1.4404
		500	50	409734	409735
		500	65	409738	409739
		500	80	409742	409743
		500	95	409746	409747
		500	110	409726	409727
		500	125	409730	409731
		1000	50	409710	409711
		1000	65	409714	409715
		1000	80	409718	409719
		1000	95	409722	409723
		1000	110	409702	409703
		1000	125	409706	409707

Compatible with ACO gully 157

Table 31

End plates with 50 mm outlet				
Picture	Drawing	A [mm]	Part Nr. 1.4301	Part Nr. 1.4404
		65	409114	409119
		80	409115	409120
		95	409116	409121
		110	409117	409122
		125	409118	409123

Height A refers to channel depth

Table 32

End plates				
Picture	Drawing	A [mm]	Part Nr. 1.4301	Part Nr. 1.4404
		50	105100	407196
		65	105101	407197
		80	105102	407198
		95	105103	407199
		110	105104	407200
		125	105105	407201

Height A refers to channel depth

Table 33

Accessories and spares


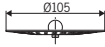

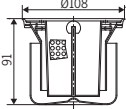

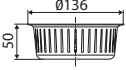
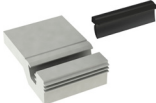
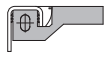
Accessories and spares				
Picture	Drawing	Name	Part Nr. 1.4301	Part Nr. 1.4404
		Sieve (for outlet 110 mm)	97235	97285
		Foul air trap + silt basket (for outlet 110 mm)	405065	403633
		Silt basket (for outlet 142 mm)	414339	414340
		Vinyl seal set	400841	

Table 34

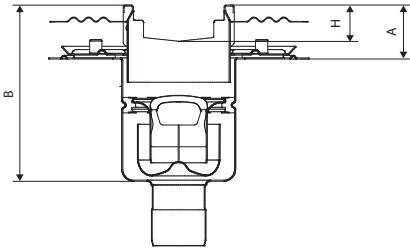
Gratings

Gratings													
Picture	Drawing	Name	L [mm]	Load class	Surface	Part Nr. 1.4301	Part Nr. 1.4404						
		Mesh grating	375*	A15	Plain	414132	414182						
					Antislip	414130	414180						
				C250	Plain	414133	414183						
					Antislip	414131	414181						
				500	A15	Plain	21720	21725					
						Antislip	21710	21715					
			C250		Plain	21920	21925						
					Antislip	21910	21915						
			1000	A15	Plain	21620	21625						
					Antislip	21610	21615						
				C250	Plain	21820	21825						
					Antislip	21810	21815						
		Ladder grating		375*	C250	Antislip/ Plain	414134	414184					
							500	21740	21745				
			1000				21741	21746					
							Heelsafe grating	375*	A15	Plain	414135	414185	
										500	Plain	96819	401238
										1000	Plain	96818	401237
		Perforated	375*	A15	Plain	414136	414186						
				B125	Plain	414137	414187						
			500	A15	Plain	21760	21765						
				B125	Plain	21960	21965						
			1000	A15	Plain	21660	21665						
				B125	Plain	21860	21865						
		Quadrato	375*	A15	Plain	414138	414188						
			500	A15	Plain	105528	407925						
					1000	Plain	105527	407924					
		Plastic grating	500	A15	Plain	21790	-						
			1000		Plain	21690	-						
		Composite grating	500	C250	Black	15704	-						
					White	10735	-						
		Volcano grating	375*	A15	Antislip	414139	414189						
			500	A15	Antislip	409290	409291						
				B125	Antislip	409294	409295						
			1000	A15	Antislip	409286	409287						
B125	Antislip	409236		409237									

\*Gratings for branches and corner units  
Table 35

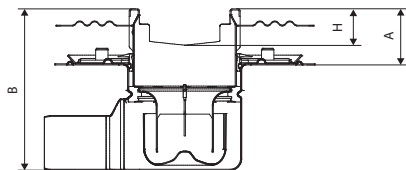
**Construction heights**

ACO box channel 125, outlet 142 mm



<b>ACO gully 157</b>						
vertical outlet DN 70 and DN 100	Channel height (H)					
	50 mm	65 mm	80 mm	95 mm	110 mm	125 mm
<b>A min.</b>	55	70	85	100	115	130
<b>A max.</b>	105	120	135	150	165	180
<b>B min.</b>	225	240	255	270	285	300
<b>B max.</b>	275	290	305	320	335	350

Table 36



<b>ACO gully 157</b>						
horizontal outlet DN 70 and DN 100	Channel height (H)					
	50 mm	65 mm	80 mm	95 mm	110 mm	125 mm
<b>A min.</b>	75	90	105	120	135	150
<b>A max.</b>	105	120	135	150	165	180
<b>B min.</b>	228	243	258	273	288	303
<b>B max.</b>	258	273	288	303	318	333

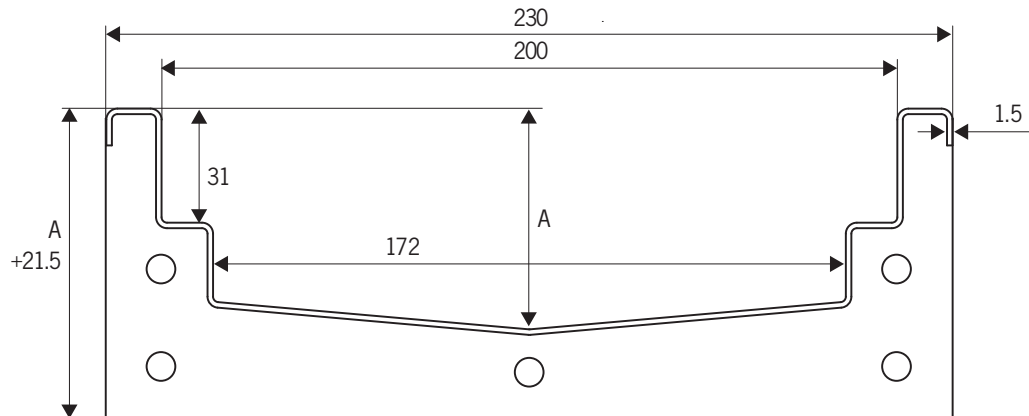
Table 37

### ACO box channel 200

ACO box channel 200 is a range of high quality channels, gratings and industrial gullies, manufactured from 1.5 mm thick austenitic stainless steel in 1.4301 (304) or 1.4404 (316). ACO box channel 200 provides a robust,

practical and cost effective solution to floor drainage. The modular concept allows systems to be designed to surround machinery and fit within existing tiling patterns. Refurbishment and new drainage layouts and varying hydraulic

demands can be satisfied by using components from the ACO box channel 200 range. Contact ACO for details & heavy duty applications.



ACO box channel 200 profile

### Features

- Fully tested and certified to EN 1433 (CE marked)
- Fully pickle passivated
- Box channel internal width 200 mm
- "V" shape of channel bottom
- Channel edge infill supplied as standard
- Hygienic design of the gully including large radii formed contours, deep-drawn components and minimal welds to minimize crevices and bacteria traps according to EN 1672 and EN ISO 14159
- Dry sump design of gully ensures no standing waste water in gully base
- Easy and secure telescopic connection with gully
- Gully body with location flange or integrated membrane flange for either adhesive bonding or mechanical clamp
- Channels with constant height or with inverted channel sloping available
- Available in 1.4301 (304) or 1.4404 (316L) grades to stainless steel
- Wide range of gratings for load class up to C250 (EN 1433)

ACO box channel 200


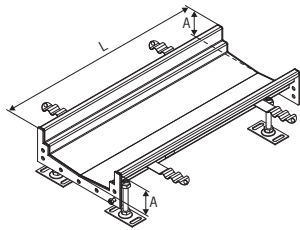
Level invert channels					
Picture	Drawing	L [mm]	A [mm]	Part Nr. 1.4301	Part Nr. 1.4404
		500	60	409072	409050
		500	70	409047	409051
		500	80	409048	409052
		500	100	409049	409053
		1000	60	401859	401860
		1000	70	409054	409057
		1000	80	409055	409058
		1000	100	409056	409059
		2000	60	401875	401876
		2000	70	409060	409063
		2000	80	409061	409064
		2000	100	409062	409065
		3000	60	401895	401896
		3000	70	409066	409069
		3000	80	409067	409070
		3000	100	409068	409071

Table 38


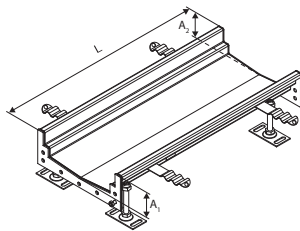
Sloping invert channels						
Picture	Drawing	L [mm]	A1 [mm]	A2 [mm]	Part Nr. 1.4301	Part Nr. 1.4404
		500	55	60	401855	401856
		1000	60	70	401871	401872
		1000	70	80	402464	402465
		1000	80	90	402466	402467
		1000	90	100	402468	402469
		1000	100	110	402470	402471
		2000	60	70	401887	401888
		2000	70	80	402472	402473
		2000	80	90	402474	402475
		2000	90	100	402476	402477
		2000	100	110	402478	402479
		2000	110	120	402480	402481
		3000	60	80	402482	402483
		3000	80	100	402484	402485
		3000	100	120	402486	402487
		3000	120	140	402488	402489
		6000	60	100	408827	408829
		6000	100	140	408828	408830

Table 39

Corner units					
Picture	Drawing	L [mm]	A [mm]	Part Nr. 1.4301	Part Nr. 1.4404
		515	60	401921	401922
		515	80	402490	402491
		515	100	402492	402493

Table 40

Branch units						
Picture	Drawing	L1 [mm]	L2 [mm]	A [mm]	Part Nr. 1.4301	Part Nr. 1.4404
		500	515	60	401933	401934
		500	515	80	402494	402495
		500	515	100	402496	402497


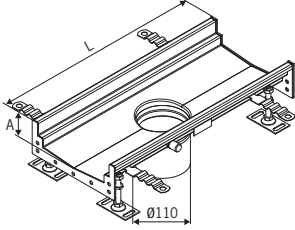
Table 41

End outlets (Outlet diameter 110 mm)					
Picture	Drawing	L [mm]	A [mm]	Part Nr. 1.4301	Part Nr. 1.4404
		500	60	414275	414283
		500	70	414276	414284
		500	80	414277	414285
		500	90	414278	414286
		500	100	414279	414287
		500	110	414280	414288
		500	120	414281	414289
		500	140	414282	414290
		1000	60	414291	414299
		1000	70	414292	414300
		1000	80	414293	414301
		1000	90	414294	414302
		1000	100	414295	414303
		1000	110	414296	414304
		1000	120	414297	414305
		1000	140	414298	414306


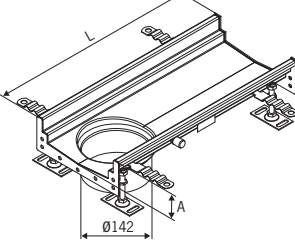
Compatible with sewage pipe DN 100 (OD 110 mm)

Table 42



Centre outlets (Outlet diameter 110 mm)					
Picture	Drawing	L [mm]	A [mm]	Part Nr. 1.4301	Part Nr. 1.4404
		500	60	414307	414315
		500	70	414308	414316
		500	80	414309	414317
		500	90	414310	414318
		500	100	414311	414319
		500	110	414312	414320
		500	120	414313	414321
		500	140	414314	414322
		1000	60	414323	414331
		1000	70	414324	414332
		1000	80	414325	414333
		1000	90	414326	414334
		1000	100	414327	414335
		1000	110	414328	414336
		1000	120	414329	414337
		1000	140	414330	414338

Compatible with sewage pipe DN 100 (OD 110 mm)  
Table 43

End outlets (Outlet diameter 142 mm)					
Picture	Drawing	L [mm]	A [mm]	Part Nr. 1.4301	Part Nr. 1.4404
		500	60	409900	409908
		500	70	409901	409909
		500	80	409902	409910
		500	90	409903	409911
		500	100	409904	409912
		500	110	409905	409913
		500	120	409906	409914
		500	140	409907	409915
		1000	60	409932	409940
		1000	70	409933	409941
		1000	80	409934	409942
		1000	90	409935	409943
		1000	100	409936	409944
		1000	110	409937	409945
		1000	120	409938	409946
		1000	140	409939	409947

Compatible with ACO gully 157  
Table 44

Centre outlets (Outlet diameter 142 mm)					
Picture	Drawing	L [mm]	A [mm]	Part Nr. 1.4301	Part Nr. 1.4404
		500	60	409916	409924
		500	70	409917	409925
		500	80	409918	409926
		500	90	409919	409927
		500	100	409920	409928
		500	110	409921	409929
		500	120	409922	409930
		500	140	409923	409931
		1000	60	409948	409956
		1000	70	409949	409957
		1000	80	409950	409958
		1000	90	409951	409959
		1000	100	409952	409960
		1000	110	409953	409961
		1000	120	409954	409962
		1000	140	409955	409963

Compatible with ACO gully 157 Table 45

End outlets (Outlet diameter 200 mm)					
Picture	Drawing	L [mm]	A [mm]	Part Nr. 1.4301	Part Nr. 1.4404
		785	60	414259	414267
		785	70	414260	414268
		785	80	414261	414269
		785	90	414262	414270
		785	100	414263	414271
		785	110	414264	414272
		785	120	414265	414273
		785	140	414266	414274

Compatible with ACO gully 218 Table 46

Centre outlets (Outlet diameter 200 mm)					
Picture	Drawing	L [mm]	A [mm]	Part Nr. 1.4301	Part Nr. 1.4404
		1270	60	414243	414251
		1270	70	414244	414252
		1270	80	414245	414253
		1270	90	414246	414254
		1270	100	414247	414255
		1270	110	414248	414256
		1270	120	414249	414257
		1270	140	414250	414258

Compatible with ACO gully 218 Table 47

End plates with 50 mm outlet				
Picture	Drawing	A [mm]	Part Nr. 1.4301	Part Nr. 1.4404
		55	402001	402002
		60	402003	402004
		70	402005	402006
		80	402034	402035
		90	402007	402008
		100	402024	402025
		110	402020	402021
		120	402022	402023
		140	401999	402000

Height A refers to channel depth Table 48

End plates				
Picture	Drawing	A [mm]	Part Nr. 1.4301	Part Nr. 1.4404
		55	402683	402684
		60	402028	402029
		70	402030	402031
		80	402514	402515
		90	402032	402033
		100	402516	402517
		110	402518	402519
		120	402036	402037
		140	402520	402521

Height A refers to channel depth Table 49

Accessories and spares

Accessories				
Picture	Drawing	Name	Part Nr. 1.4301	Part Nr. 1.4404
		Sieve (outlet 110 mm)	97235	97285
		Foul air trap + silt basket (for outlet 110 mm)	405065	403633
		Silt basket 0.6 litre capacity (for outlet 142 mm)	408202	408212
		Silt basket 0.3 litre capacity (for outlet 142 mm)	408203	408213
		Silt basket 1.4 litre capacity (for outlet 200 mm)	408222	408232
		Silt basket 0.7 litre capacity (for outlet 200 mm)	408223	408233
		Vinyl seal set	400841	

Table 50

Gratings

Gratings							
Picture	Drawing	Name	L [mm]	Load class	Surface	Part Nr. 1.4301	Part Nr. 1.4404
		Mesh grating	300*	A15	Plain	414141	414191
					Antislip	414140	414190
			500	A15	Plain	92207	92257
					Antislip	92200	92250
					Plain	92208	92258
					Antislip	92201	92251
		Ladder grating	300*	C250	Antislip/ Plain	414142	414192
			500			92214	92264
			1000			92215	92265
		Perforated	300*	A15	Plain	414143	414193
			500			402689	-
			1000			402688	-
		Arla grating	300*	A15	Antislip/ Plain	414144	414194
			500			92221	92271
			1000			92222	92272
		Volcano grating	300*	A15	Antislip	414145	414195
				A15	Antislip	409292	409293
			500	B125	Antislip	409296	409297
				1000	A15	Antislip	409288
B125	Antislip	409240	409241				

\*Gratings for branches and corner units  
Table 51

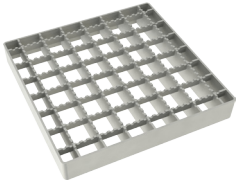
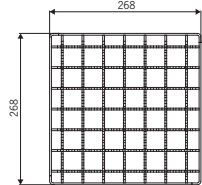
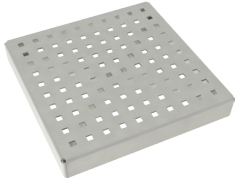
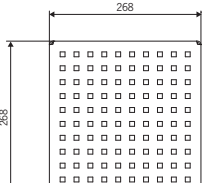

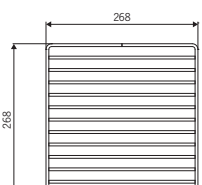

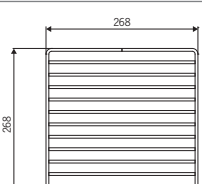
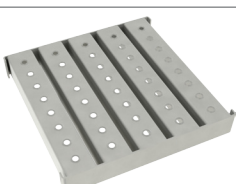
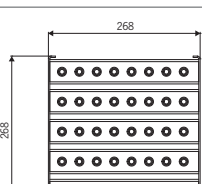
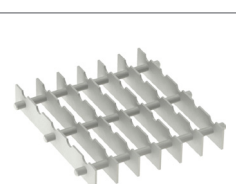
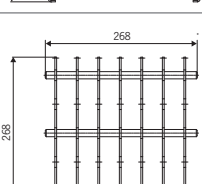

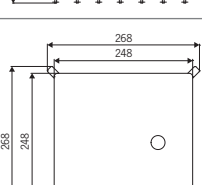
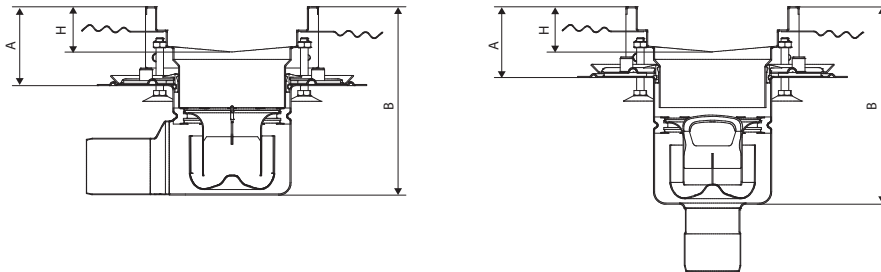
Gratings for frame 300×300 mm						
Picture	Drawing	Name	Load class	Surface	Part Nr. 1.4301	Part Nr. 1.4404
		Mesh grating	L15	Antislip	408034	408134
				Plain	408035	408135
		Quadrato	L15	Plain	408036	408136
		Ladder grating	M125	Antislip	408037	408137
				Plain	408038	408138
		Ladder grating	C250	Plain	408045	4080145
		Volcano	L15	Antislip	408042	408142
		ARLA grating	L15	Antislip/Plain	408041	408141
		Slot cover	M125	Plain	408039	408139

Table 52

**Construction heights**

**ACO box channel 200, outlet 142 mm**



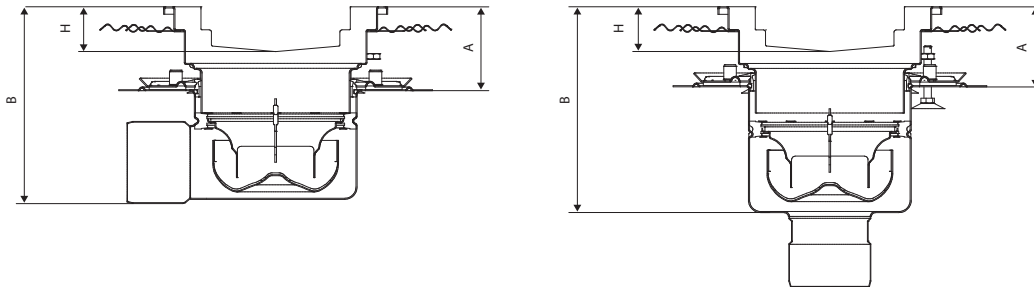
<b>ACO gully 157</b>								
vertical outlet DN 70 and DN 100	Channel height (H)							
	60 mm	70 mm	80 mm	90 mm	100 mm	110 mm	120 mm	140 mm
<b>A min.</b>	80	90	100	110	120	130	140	160
<b>A max.</b>	130	140	150	160	170	180	190	210
<b>B min.</b>	250	260	270	280	290	300	310	330
<b>B max.</b>	300	310	320	330	340	350	360	380

Table 53

<b>ACO gully 157</b>								
horizontal outlet DN 70 and DN 100	Channel height (H)							
	60 mm	70 mm	80 mm	90 mm	100 mm	110 mm	120 mm	140 mm
<b>A min.</b>	105	115	125	135	145	155	165	185
<b>A max.</b>	135	145	155	165	175	185	195	215
<b>B min.</b>	258	268	278	288	298	308	318	338
<b>B max.</b>	288	298	308	318	328	338	348	368

Table 54

**ACO box channel 200, outlet 200 mm**



<b>ACO gully 218</b>								
vertical outlet	Channel height (H)							
DN 100 and DN 150	60 mm	70 mm	80 mm	90 mm	100 mm	110 mm	120 mm	140 mm
<b>A min.</b>	75	85	95	105	115	125	135	155
<b>A max.</b>	120	130	140	150	160	170	180	200
<b>B min.</b>	245	255	265	275	285	295	305	325
<b>B max.</b>	290	300	310	320	330	340	350	370

Table 55

<b>ACO gully 218</b>								
horizontal outlet	Channel height (H)							
DN 100	60 mm	70 mm	80 mm	90 mm	100 mm	110 mm	120 mm	140 mm
<b>A min.</b>	90	100	110	120	130	140	150	170
<b>A max.</b>	120	130	140	150	160	170	180	200
<b>B min.</b>	243	253	263	273	283	293	303	323
<b>B max.</b>	273	283	293	303	313	323	333	353

Table 56

ACO gully 157 – telescopic – horizontal and vertical outlet

ACO gully 157 – telescopic – vertical outlet						
Picture	Drawing	Flange type	DN/OD	FAT	Part Nr. 1.4301	Part Nr. 1.4404
		Location flange	70/75 mm	Without FAT	408048	408148
				With FAT	408049	408149
		Adhesive bonding flange	70/75 mm	Without FAT	408050	408150
				With FAT	408051	408151
		Mechanical clamping flange	70/75 mm	Without FAT	408052	408152
				With FAT	408053	408153
		Location flange	100/110 mm	Without FAT	408054	408154
				With FAT	408055	408155
		Adhesive bonding flange	100/110 mm	Without FAT	408056	408156
				With FAT	408057	408157
		Mechanical clamping flange	100/110 mm	Without FAT	408058	408158
				With FAT	408059	408159

Table 57




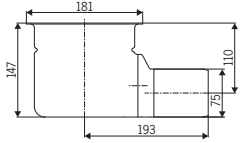

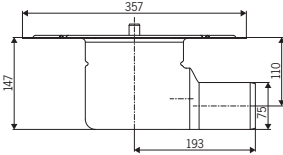

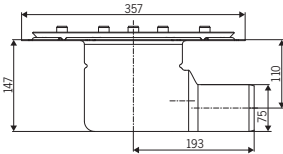

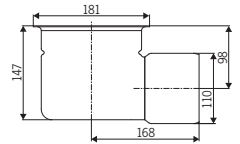

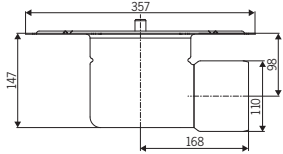

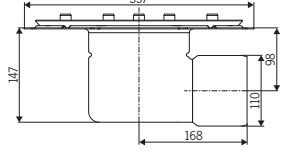
ACO gully 157 – telescopic – horizontal outlet						
Picture	Drawing	Flange type	DN/OD	FAT	Part Nr. 1.4301	Part Nr. 1.4404
		Location flange	70/75 mm	Without FAT	408072	408172
				With FAT	408073	408173
		Adhesive bonding flange	70/75 mm	Without FAT	408074	408174
				With FAT	408075	408175
		Mechanical clamping flange	70/75 mm	Without FAT	408076	408176
				With FAT	408077	408177
		Location flange	100/110 mm	Without FAT	408078	408178
				With FAT	408079	408179
		Adhesive bonding flange	100/110 mm	Without FAT	408080	408180
				With FAT	408081	408181
		Mechanical clamping flange	100/110 mm	Without FAT	408082	408182
				With FAT	408083	408183

Table 58


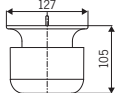

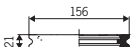

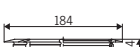
ACO gully 157 – telescopic – accessories and spares				
Picture	Drawing	Name	Material	Part Nr.
		Foul air trap	1.4301	408200
			1.4404	408210
		Nitrile NBR support	Nitrile	408201
		Friction ring installation set	Nitrile	408205

Table 59

ACO gully 218 – telescopic – horizontal and vertical outlet


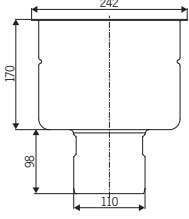

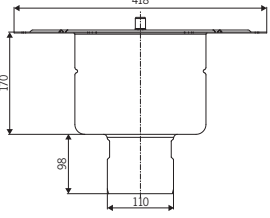

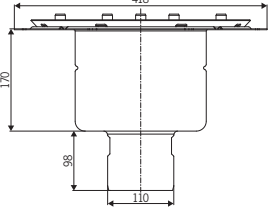

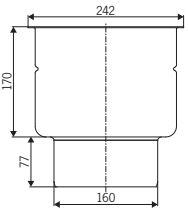

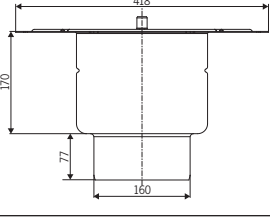

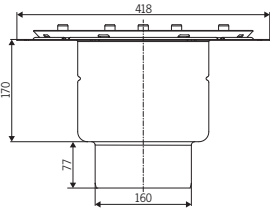
ACO gully 218 – telescopic – vertical outlet						
Picture	Drawing	Flange type	DN/OD	FAT	Part Nr. 1.4301	Part Nr. 1.4404
		Location flange	100/110 mm	Without FAT	408060	408160
				With FAT	408061	408161
		Adhesive bonding flange	100/110 mm	Without FAT	408062	408162
				With FAT	408063	408163
		Mechanical clamping flange	100/110 mm	Without FAT	408064	408164
				With FAT	408065	408165
		Location flange	150/160 mm	Without FAT	408066	408166
				With FAT	408067	408167
		Adhesive bonding flange	150/160 mm	Without FAT	408068	408168
				With FAT	408069	408169
		Mechanical clamping flange	150/160 mm	Without FAT	408070	408170
				With FAT	408071	408171

Table 60

ACO gully 218 – telescopic – horizontal outlet						
Picture	Drawing	Flange type	DN/OD	FAT	Part Nr. 1.4301	Part Nr. 1.4404
		Location flange	100/110 mm	Without FAT	408084	408184
				With FAT	408085	408185
		Adhesive bonding flange	100/110 mm	Without FAT	408086	408186
				With FAT	408087	408187
		Mechanical clamping flange	100/110 mm	Without FAT	408088	408188
				With FAT	408089	408189

Table 61

ACO gully 218 – telescopic – accessories and spares				
Picture	Drawing	Name	Material	Part Nr.
		Foul air trap	1.4301	408220
			1.4404	408230
		Foul air trap support	Nitrile	408221
		Friction ring installation set	Nitrile	408225

Table 62

## Cut on demand

### ACO slot and box channels – cut on demand items

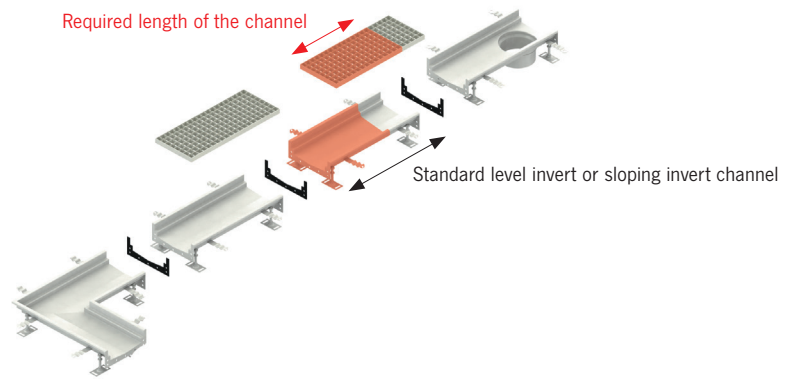
Cut on demand items is the easy and fast way how to get the slot or box channel with special length to complete project of linear drainage with standard stock items. Simply specify the length you need.

### How it works:

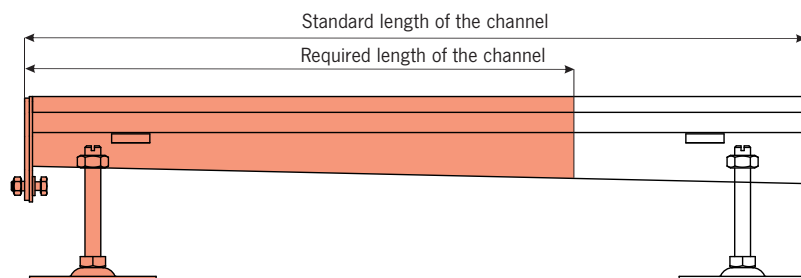
Cut on demand item is produced from standard stock item (level invert and sloping invert channels only) which is shortened according to customer's need. Shortened item is then equipped with flange and sealing to fit the following channel in the drainage project. Grating with the same length is produced as well.

### How to specify cut on demand items:

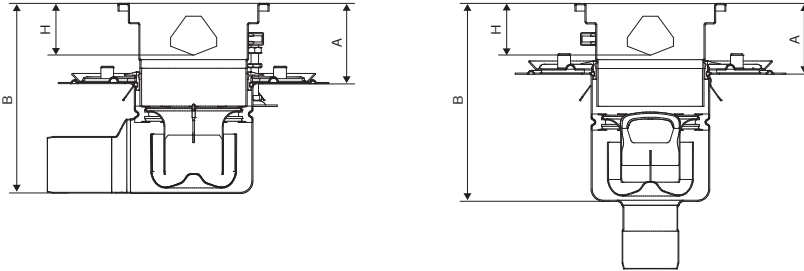
- Specify part number from which the cut on demand item should be produced.



- Specify the required length of the item (length always starts at lower height of channel if channel with invert slope used).



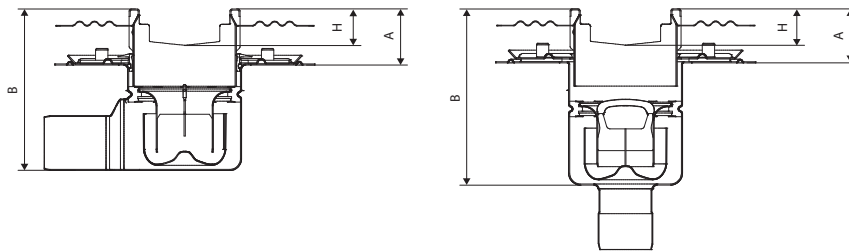
Flow rates



ACO slot channel 20 outlet diameter 142		Flow rate [l/s]													
ACO gully 157 outlet		H = 70 mm		H = 75 mm		H = 80 mm		H = 90 mm		H = 100 mm		H = 110 mm		H = 120 mm	
		A min.	A max.	A min.	A max.	A min.	A max.	A min.	A max.	A min.	A max.	A min.	A max.	A min.	A max.
DN 70	Horizontal	3.0	3.2	3.0	3.2	3.1	3.2	3.1	3.2	3.1	3.2	3.2	3.3	3.2	3.4
	Vertical	2.9	3.1	3.0	3.2	3.0	3.2	3.1	3.2	3.1	3.2	3.1	3.3	3.1	3.4
DN 100	Horizontal	3.6	4.0	3.7	4.1	3.7	4.1	3.8	4.1	3.8	4.1	4.2	4.3	4.2	4.5
	Vertical	4.0	4.2	4.1	4.3	4.1	4.3	4.1	4.3	4.1	4.3	4.1	4.2	4.2	4.5

Flow rate with empty silt basket are approx. 15% lower than the values stated.

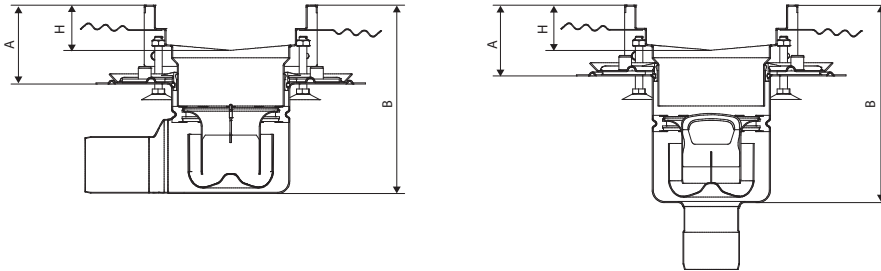
Table 63



ACO box channel 125 outlet diameter 142		Flow rate [l/s]											
ACO gully 157 outlet		H = 50 mm		H = 65 mm		H = 80 mm		H = 95 mm		H = 110 mm		H = 125 mm	
		A min.	A max.	A min.	A max.	A min.	A max.	A min.	A max.	A min.	A max.	A min.	A max.
DN 70	Horizontal	2.8	3.0	2.9	3.1	3.0	3.1	3.1	3.2	3.1	3.2	3.2	3.3
	Vertical	2.9	3.0	2.9	3.1	2.9	3.1	3.1	3.2	3.1	3.2	3.1	3.3
DN 100	Horizontal	3.2	3.6	3.2	3.7	3.3	3.8	3.8	4.1	3.8	4.1	4.2	4.3
	Vertical	3.9	4.1	3.9	4.1	4.0	4.2	4.1	4.3	4.1	4.3	4.2	4.3

Flow rate with empty silt basket are approx. 15% lower than the values stated.

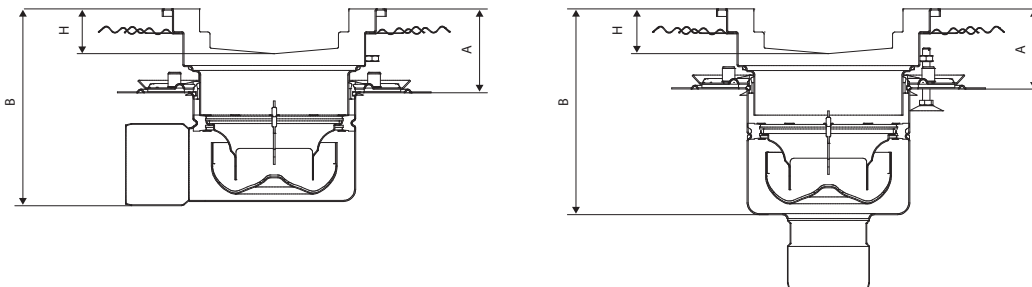
Table 64



ACO box channel 200 outlet diameter 142		Flow rate [l/s]															
ACO gully 157 outlet		H = 60 mm		H = 70 mm		H = 80 mm		H = 90 mm		H = 100 mm		H = 110 mm		H = 120 mm		H = 140 mm	
		A min.	A max.	A min.	A max.	A min.	A max.	A min.	A max.	A min.	A max.	A min.	A max.	A min.	A max.	A min.	A max.
DN 70	Horizontal	3.0	3.1	3.1	3.2	3.1	3.2	3.1	3.2	3.2	3.3	3.2	3.4	3.2	3.4	3.4	3.4
	Vertical	2.9	3.1	3.0	3.2	3.1	3.2	3.1	3.2	3.1	3.3	3.1	3.3	3.2	3.4	3.2	3.4
DN 100	Horizontal	3.3	3.8	3.7	4.2	3.8	4.1	3.8	4.1	4.2	4.3	4.2	4.5	4.1	4.5	4.5	4.5
	Vertical	3.9	4.2	4.1	4.3	4.1	4.3	4.1	4.3	4.1	4.3	4.2	4.3	4.3	4.5	4.3	4.5

Flow rate with empty silt basket are approx. 15% lower than the values stated.

Table 65



ACO box channel 200 outlet diameter 200		Flow rate [l/s]															
ACO gully 218 outlet		H = 60 mm		H = 70 mm		H = 80 mm		H = 90 mm		H = 100 mm		H = 110 mm		H = 120 mm		H = 140 mm	
		A min.	A max.	A min.	A max.	A min.	A max.	A min.	A max.	A min.	A max.	A min.	A max.	A min.	A max.	A min.	A max.
DN 100	Horizontal	4.6	4.8	4.8	4.9	4.8	4.9	4.8	5.0	4.9	5.1	4.9	5.2	5.0	5.3	5.2	5.5
	Vertical	5.3	5.6	5.4	5.7	5.5	5.7	5.6	5.8	5.6	6.0	5.7	6.1	5.7	6.2	5.9	6.3
DN 150	Vertical	5.3	5.6	5.4	5.7	5.5	5.7	5.6	5.8	5.6	6.0	5.7	6.1	5.7	6.2	5.9	6.3

Flow rate with empty silt basket are approx. 15% lower than the values stated.

Table 66

## Care and Maintenance

### Cleaning methods

Stainless steel and NBR is easy to clean. Washing with soap or a mild detergent and warm water followed by a clear water rinse is usually quite adequate for many industrial applications. An enhanced aesthetic appearance will be achieved if the cleaned surface is finally wiped dry.

### Precautions

If all the suggestions and actions in the table below have been attempted, stainless steel has the facility to be mechanically cleaned by specialists on site. Please contact ACO Industries for further assistance.

Problem	Cleaning agent	Comment
Routine cleaning, all finishes.	Soap or mild detergent and water (such as washing up liquid).	Sponge, rinse with clean water, wipe dry if necessary.
Fingerprints, all finishes	Soap or warm water or organic solvent (e.g. acetone, alcohol).	Rinse with clean water, wipe dry if necessary.
Stubborn stains and discolouration.	Mild cleaning solutions (e.g. Jif, Goddard stainless Steel Care).	Rinse well with clean water and wipe dry.
Oil and grease marks, all finishes.	Organic solvents (e.g. acetone, alcohol, trichlorethylene).	Clean after with soap and water, rinse with clean water and dry.
Rust and other corrosion products.	Oxalic acid. The cleaning solution should be applied with a swab and allowed to stand for 15–20 minutes before being washed away with water. May continue using Jif to give final clean.	Rinse well with clean water (precautions for acid cleaners should be observed).
Scratches on brush (satin) finish.	Household synthetic fibre scouring pads (e.g. Scotch Brite fibre pad). For deeper scratches; apply in direction of polishing. The clean with soap or detergent as per routine cleaning.	Do not use ordinary steel wool (iron particles can become embedded in stainless steel and cause further surface problems).

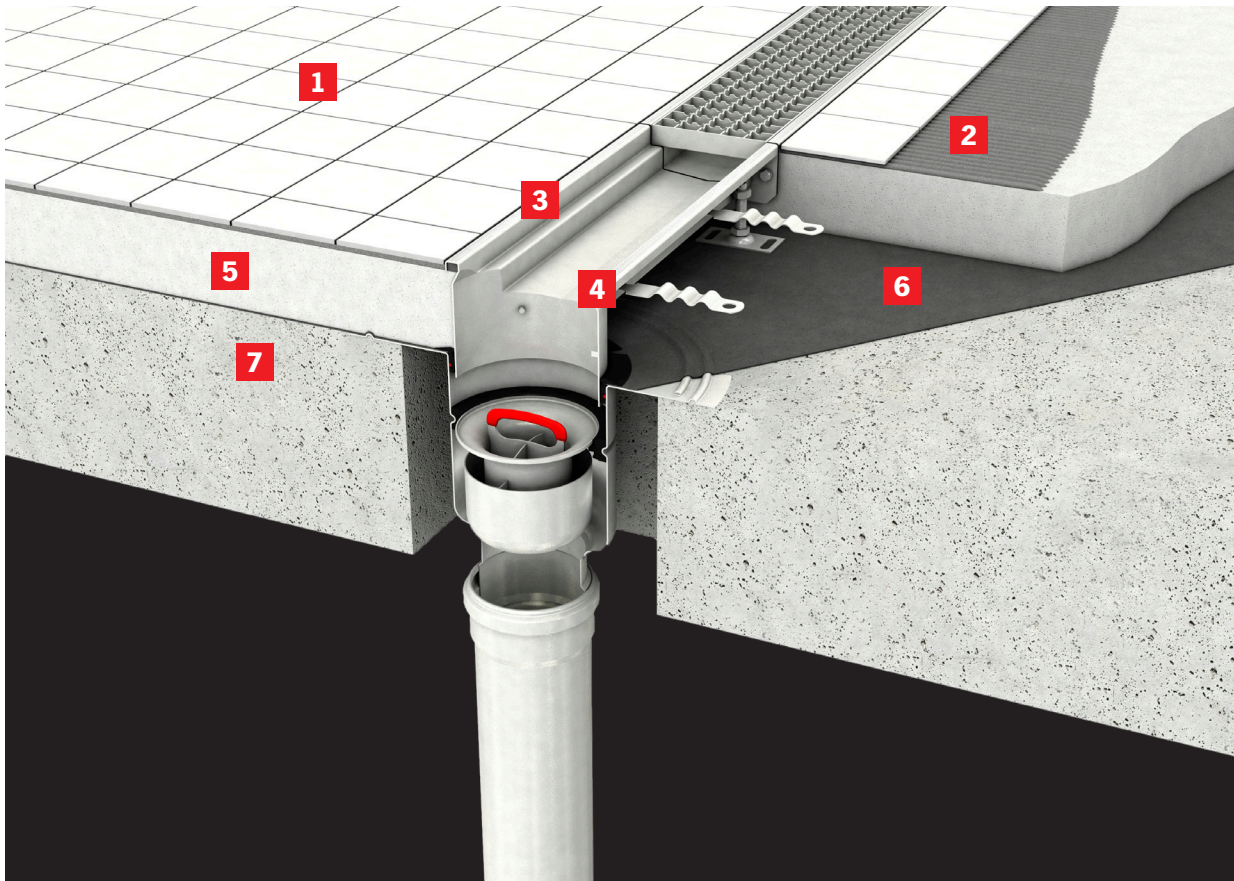
Table 67





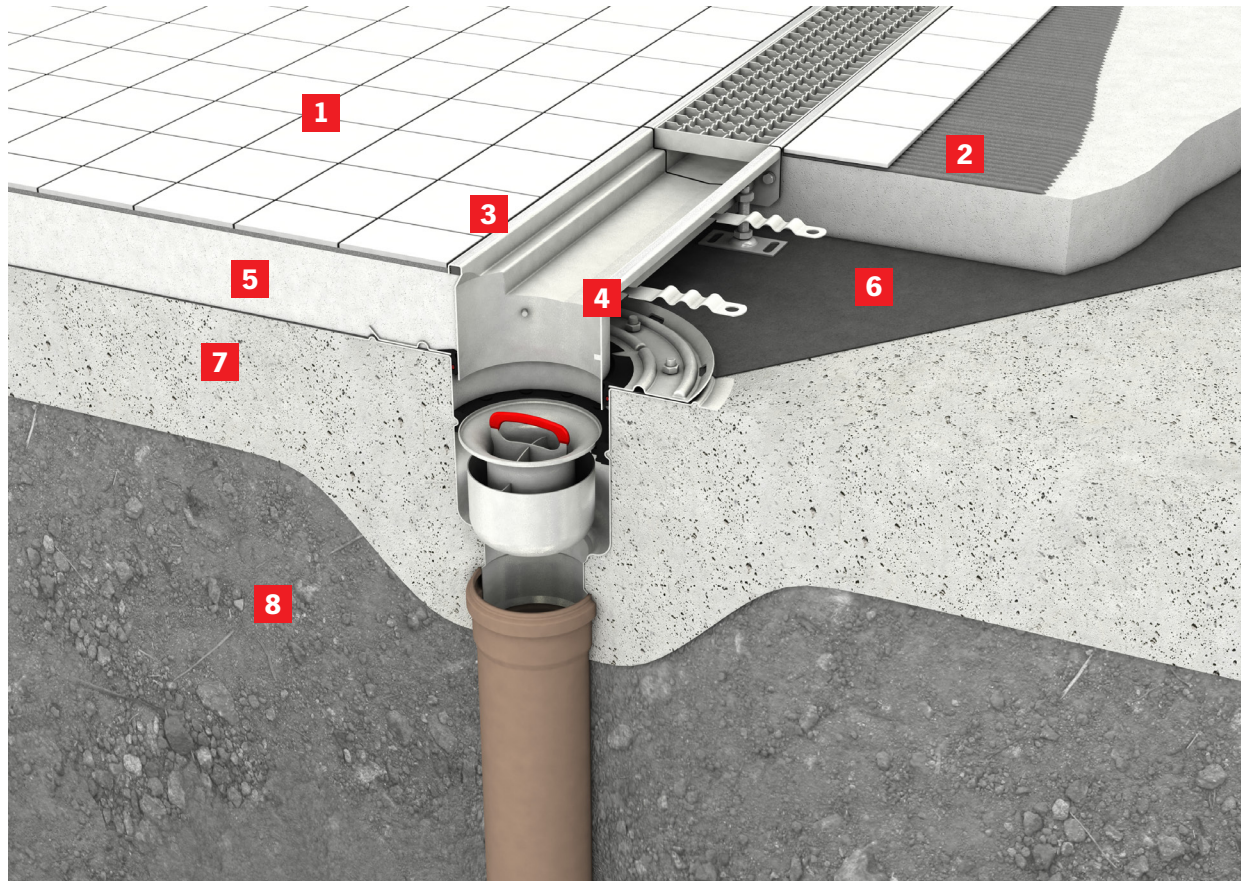
## Installation recommendations

### ACO box channel – standard type – gully with adhesive bonding flange Tiled floor



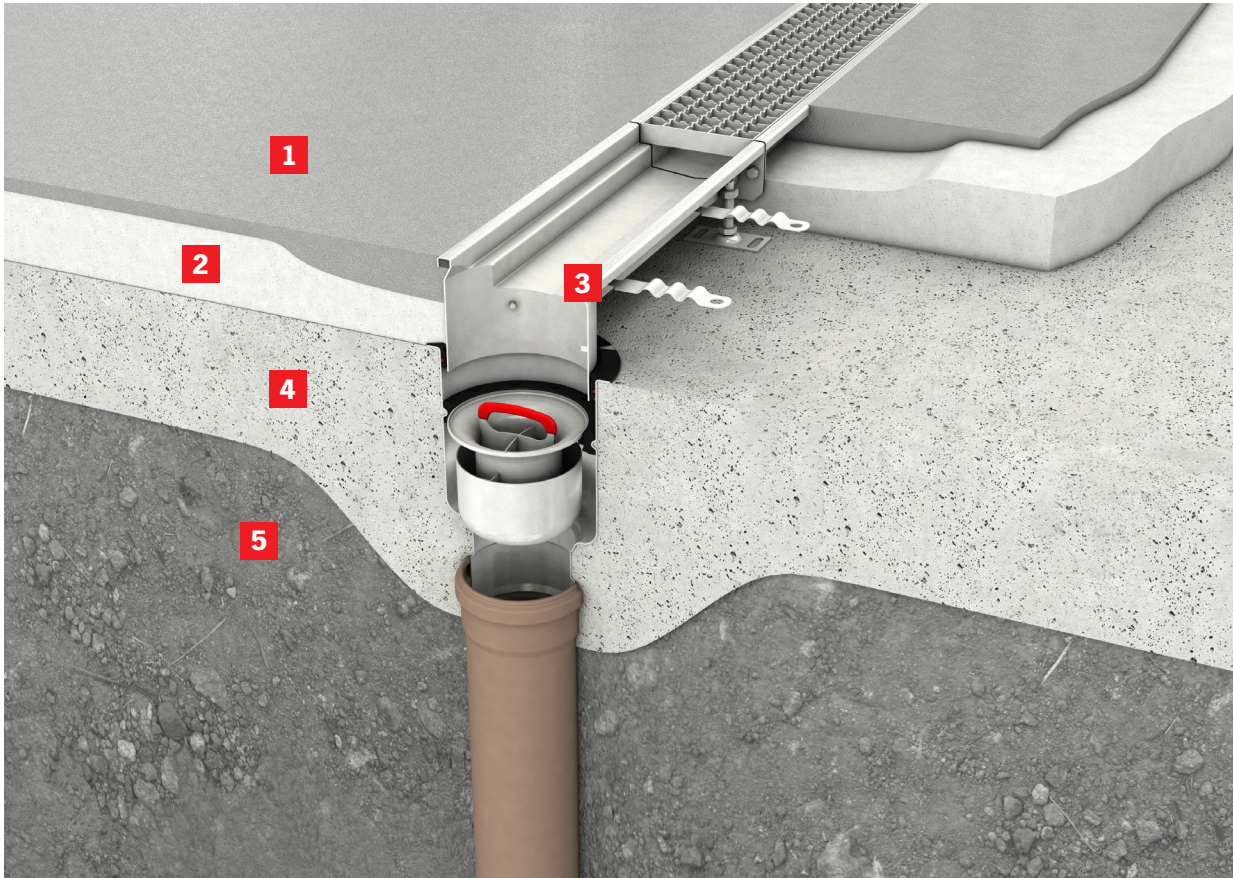
- 1** Ceramic tiles
- 2** Tile cement
- 3** Mastic sealant
- 4** Rubber infill
- 5** Floor screed
- 6** Water proof membrane
- 7** Solid concrete floor slab

**ACO box channel – gully with mechanical clamping flange**  
**Tiled floor**



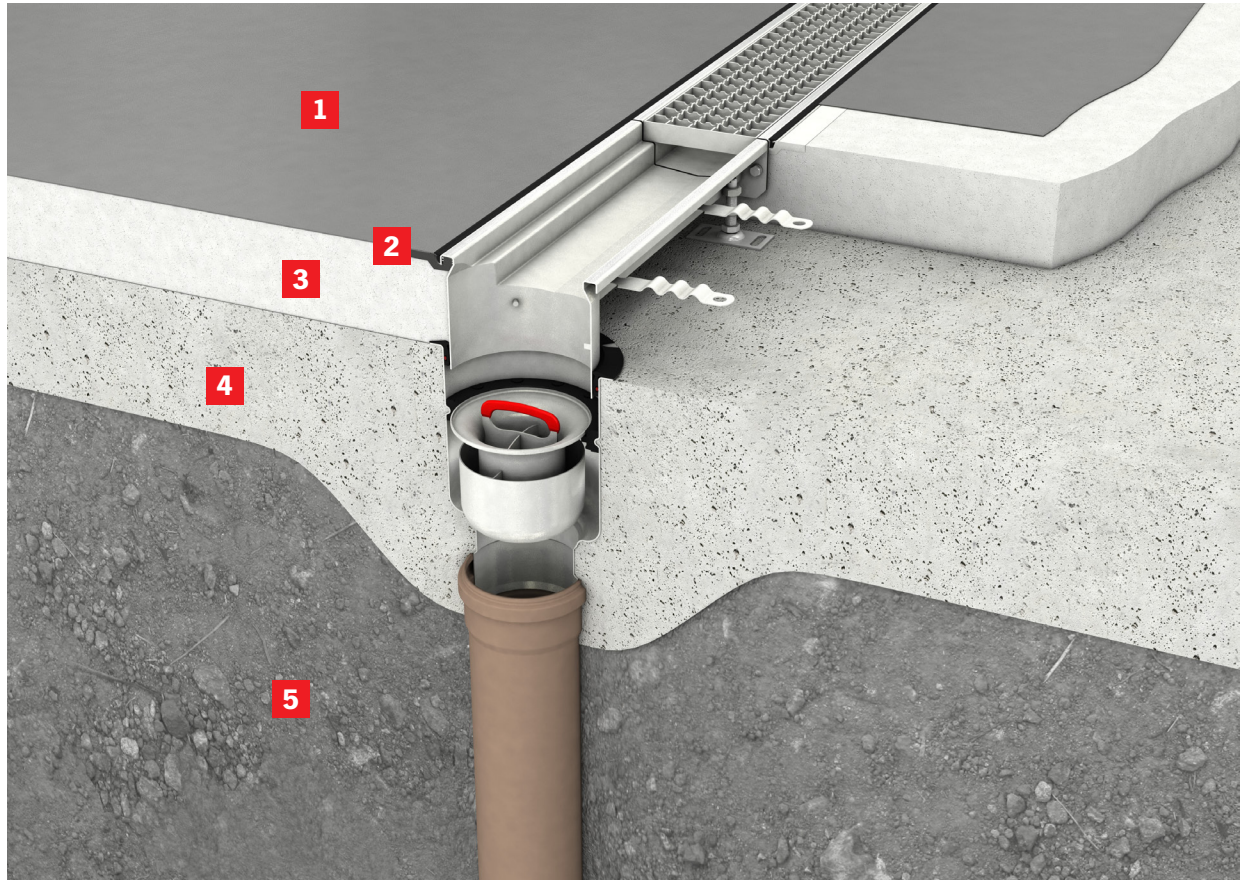
- 1** Ceramic tiles
- 2** Tile cement
- 3** Mastic sealant
- 4** Rubber infill
- 5** Floor screed
- 6** Water proof membrane
- 7** Solid concrete floor slab
- 8** Compacted soil

ACO box channel – gully with location flange  
Resin floor



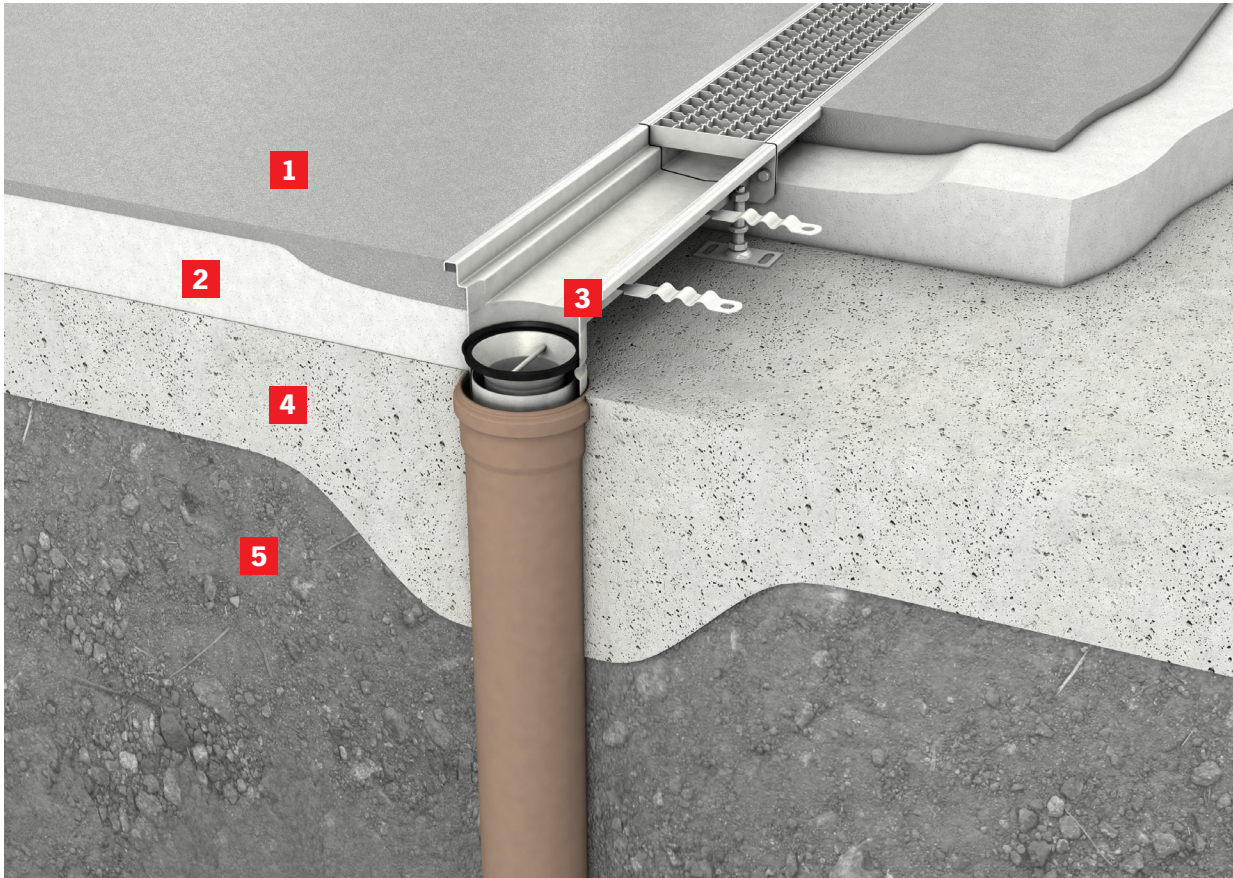
- 1** Epoxy/resin floor
- 2** Floor screed
- 3** Rubber infill
- 4** Solid concrete floor slab
- 5** Compacted soil

**ACO box channel – vinyl type – gully with location flange**  
**Vinyl floor**



- 1** Vinyl floor
- 2** Vinyl seal
- 3** Floor screed
- 4** Solid concrete floor slab
- 5** Compacted soil

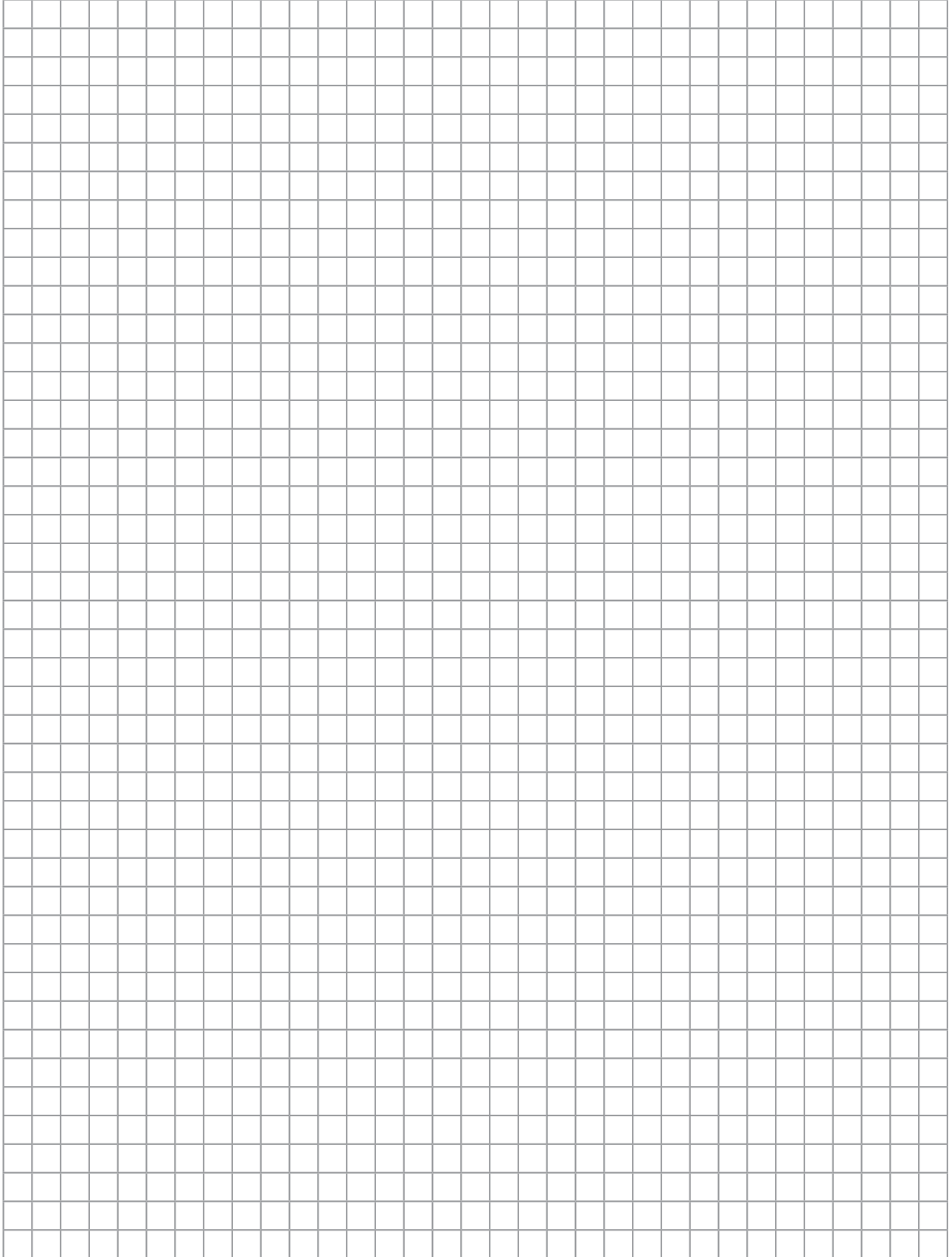
**ACO box channel – direct connection to sewage pipe system**  
**Resin floor**

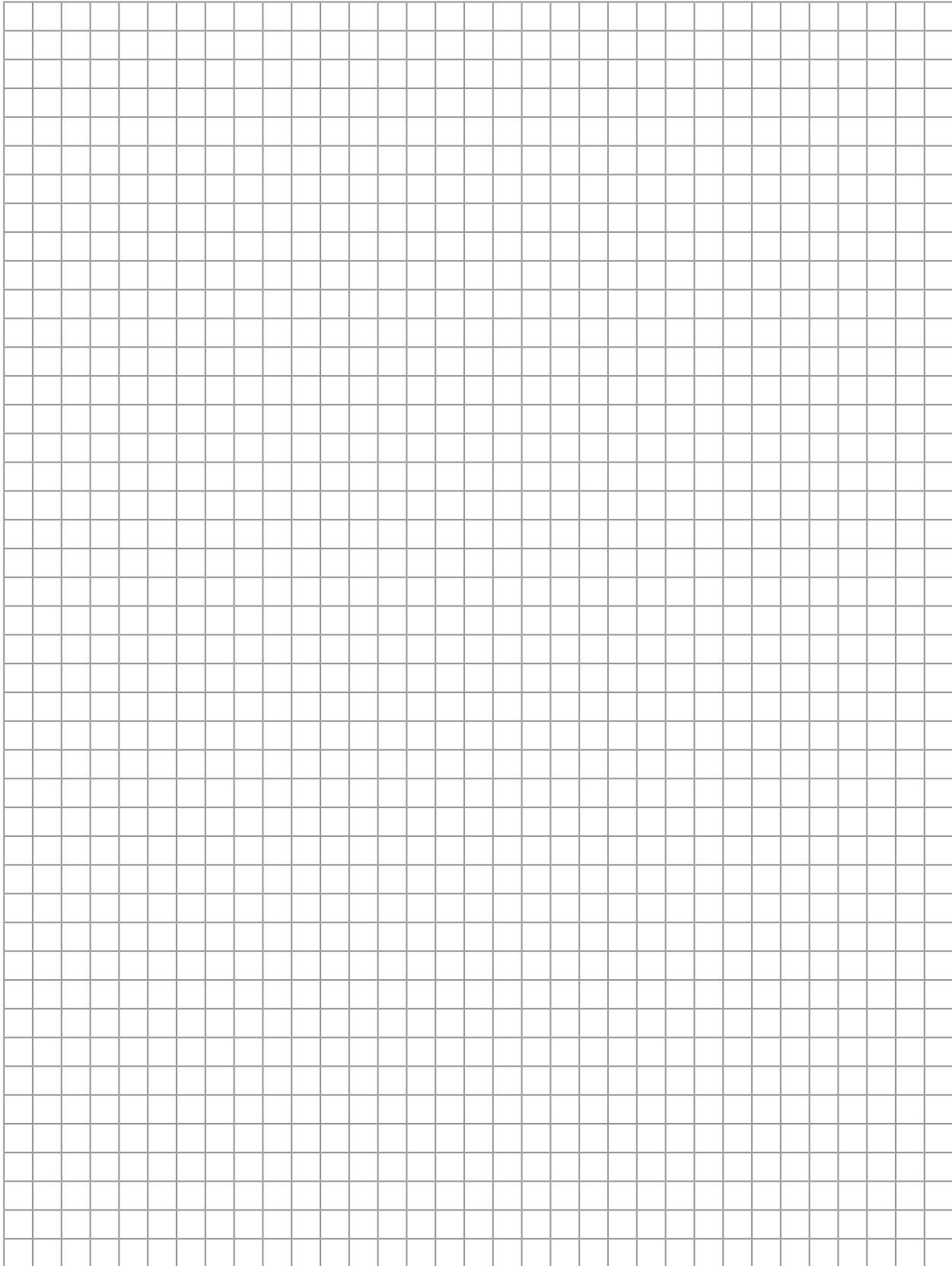


- 1** Epoxy/resin floor
- 2** Floor screed
- 3** Rubber infill
- 4** Solid concrete floor slab
- 5** Compacted soil



Notes





**ACO Industries k.s.,**  
Havlíčková 260  
582 22 Příbyslav  
Czech Republic

**[www.aco.com](http://www.aco.com)**

The ACO Group – a strong family you can build on.

All reasonable care has been taken in compiling the information in this document. All recommendations and suggestions on the use of ACO products are made without guarantee since the conditions of use are beyond the control of the Company. It is the customer's responsibility to ensure that each product is fit for its intended purpose and that the actual conditions of use are suitable. This brochure and any advice is provided free of charge and accordingly on terms that no liability (including liability for negligence) will attach the Company or its servants or agents arising out of or in connection with or in relation to this brochure or any such advice. Any goods supplied by the Company will be supplied solely upon its standard conditions of sale, copies of which are available on request. The Company's policy of continuous product development and improvement renders specifications liable to modification. Information provided in this brochure is therefore subject to change without prior notification.